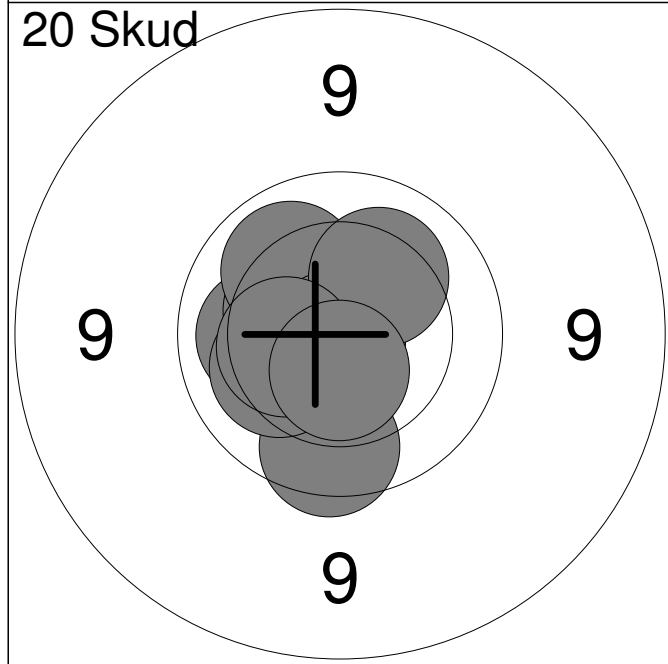
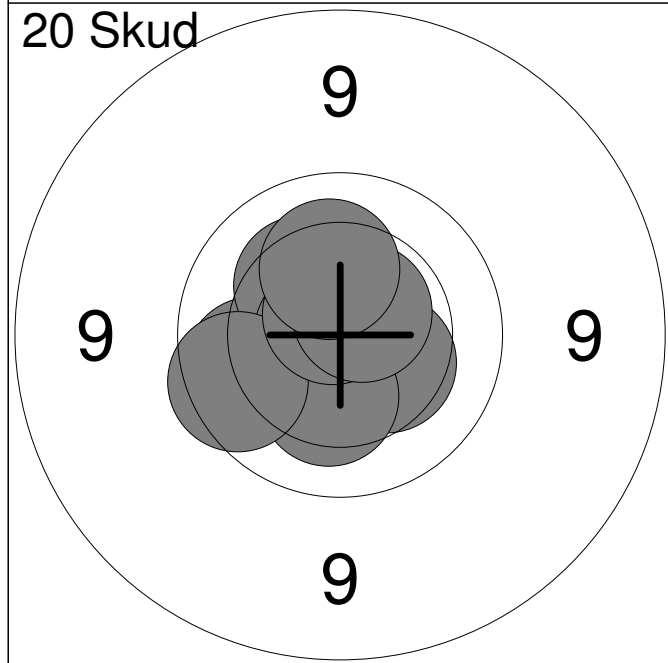


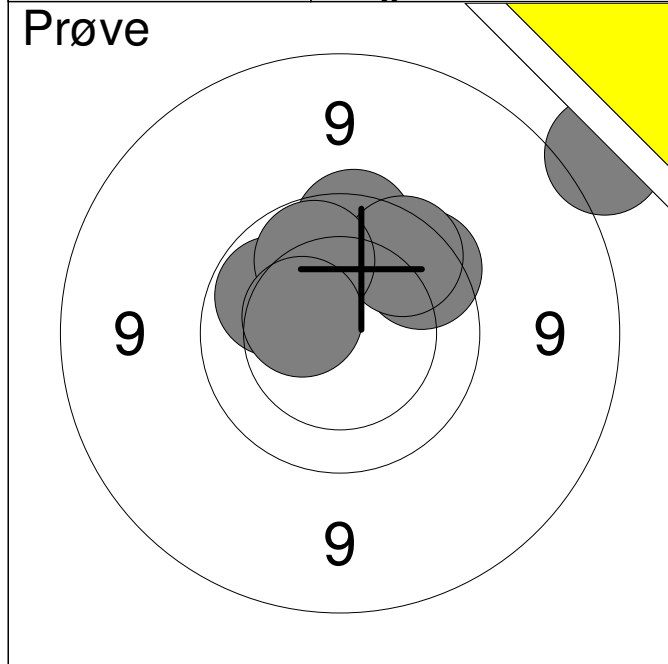
1:	9.2	↘
2:	9.5	←
3:	10.5	←
4:	9.6	←
5:	9.6	↗
6:	9.8	←
7:	9.8	↓
8:	10.2	↘
9:	10.0	↗
10:	10.4	←
<b>Serie</b>		<b>94.0</b>
<b>Total</b>		<b>0.0</b>



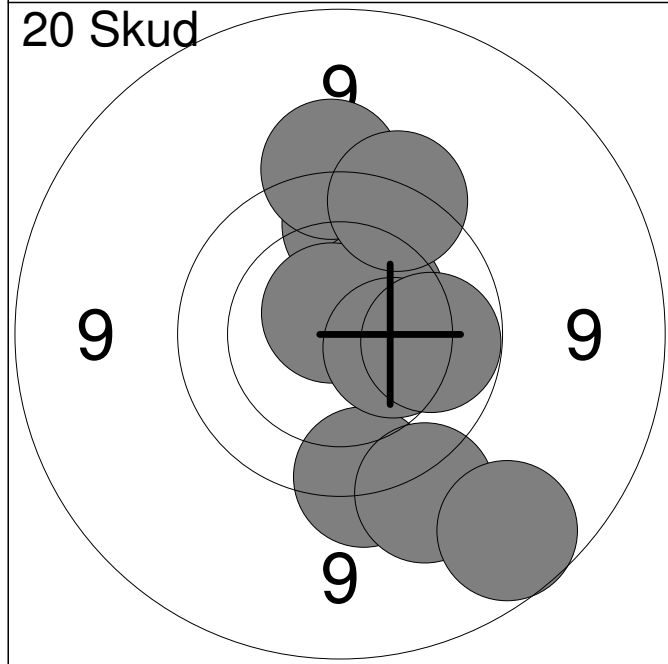
1:	10.1	←
2:	9.8	↓
3:	10.4	↗
4:	10.7x	↗
5:	10.1	↗
6:	10.2	←
7:	10.9x	↘
8:	10.2	↗
9:	10.4	←
10:	10.6x	↓
<b>Serie</b>		<b>99.0</b>
<b>Total</b>		<b>99.0</b>



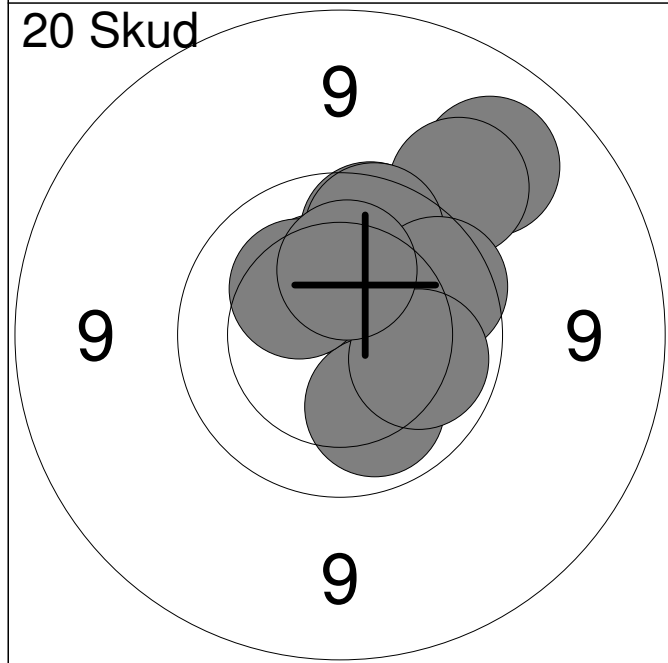
11:	10.7x	↗
12:	10.0	←
13:	10.4	↘
14:	10.3	↗
15:	10.8x	←
16:	10.3	↓
17:	9.8	←
18:	10.7x	↗
19:	10.6x	↗
20:	10.2	↑
<b>Serie</b>		<b>99.0</b>
<b>Total</b>		<b>198.0</b>



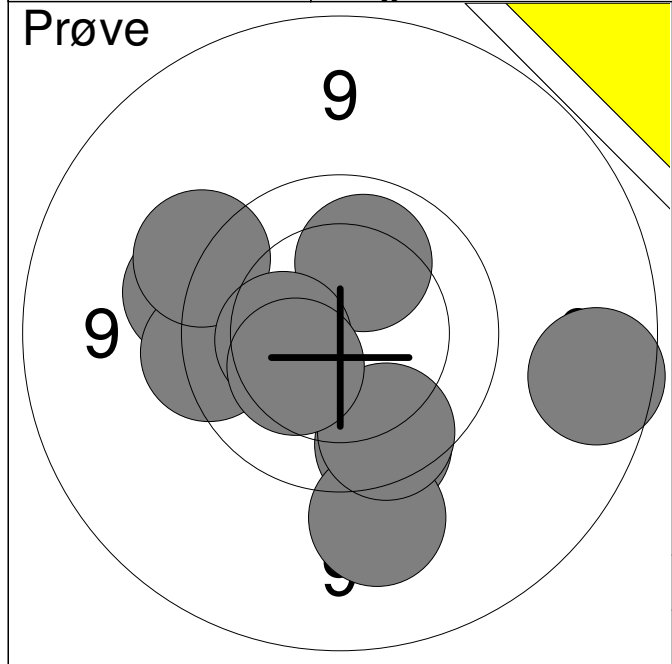
1:	8.5	↗
2:	10.0	↖
3:	9.8	↑
4:	9.8	↗
5:	9.8	↗
6:	10.0	↑
7:	10.4	↖
<b>Serie</b>		<b>65.0</b>
<b>Total</b>		<b>0.0</b>



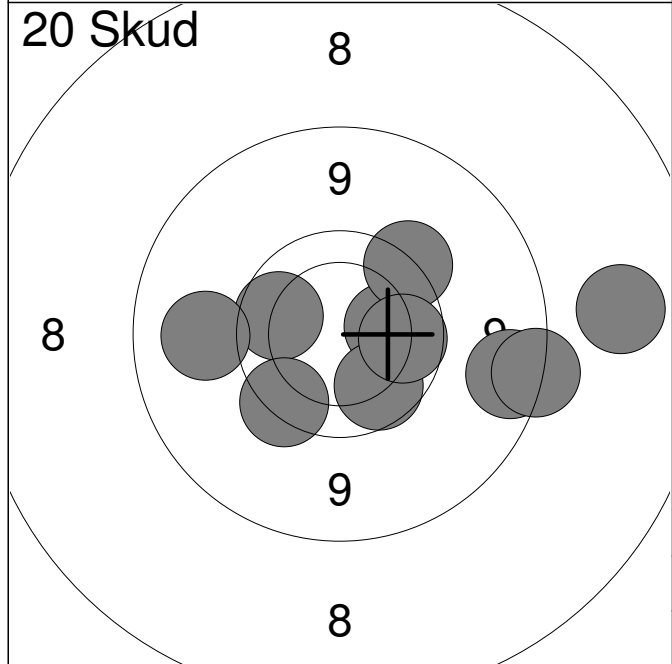
1:	9.6	↓
2:	9.4	↓
3:	9.8	↑
4:	10.4	↗
5:	10.7x	↑
6:	10.4	→
7:	9.5	↑
8:	10.0	→
9:	9.6	↑
10:	8.9	↓
<b>Serie</b>		<b>93.0</b>
<b>Total</b>		<b>93.0</b>



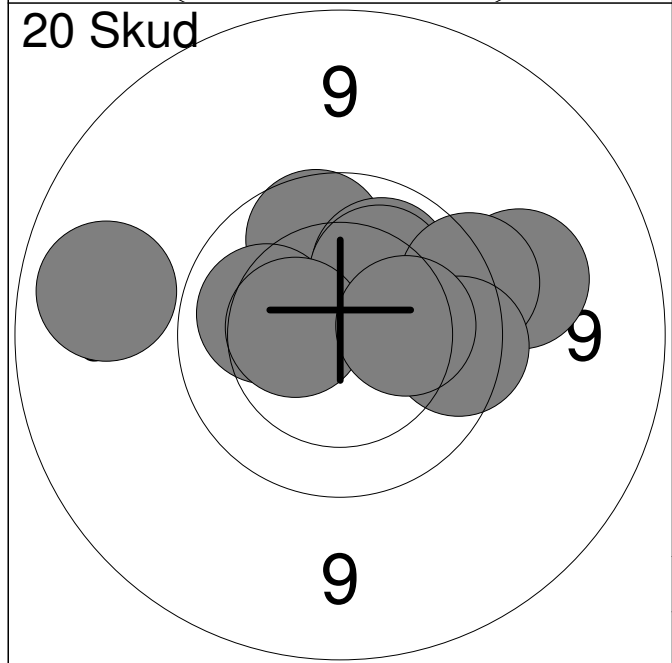
11:	9.1	↗
12:	9.9	↑
13:	9.4	↗
14:	9.9	↑
15:	10.4	↑
16:	9.9	↗
17:	10.1	↓
18:	10.1	→
19:	10.3	↗
20:	10.2	↑
<b>Serie</b>		<b>95.0</b>
<b>Total</b>		<b>188.0</b>



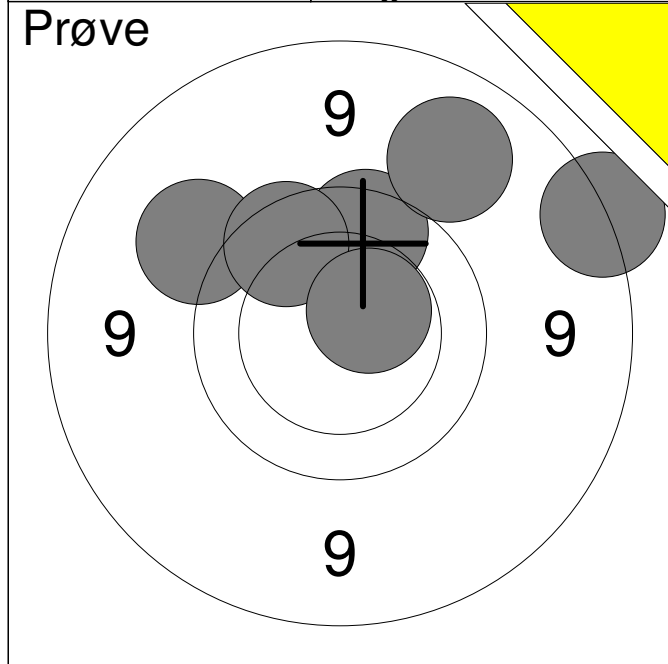
1:	9.5	←
2:	9.7	←
3:	9.5	↗
4:	9.8	↓
5:	9.3	↓
6:	10.1	↗
7:	8.9	→
8:	9.8	↓
9:	10.3	←
10:	10.3	↙
<b>Serie</b>		<b>92.0</b>
<b>Total</b>		<b>0.0</b>



1:	10.1	→
2:	8.9	→
3:	9.9	←
4:	9.6	↗
5:	9.2	←
6:	8.2	→
7:	8.7	→
8:	9.9	↓
9:	9.9	→
10:	9.7	↙
<b>Serie</b>		<b>88.0</b>
<b>Total</b>		<b>88.0</b>



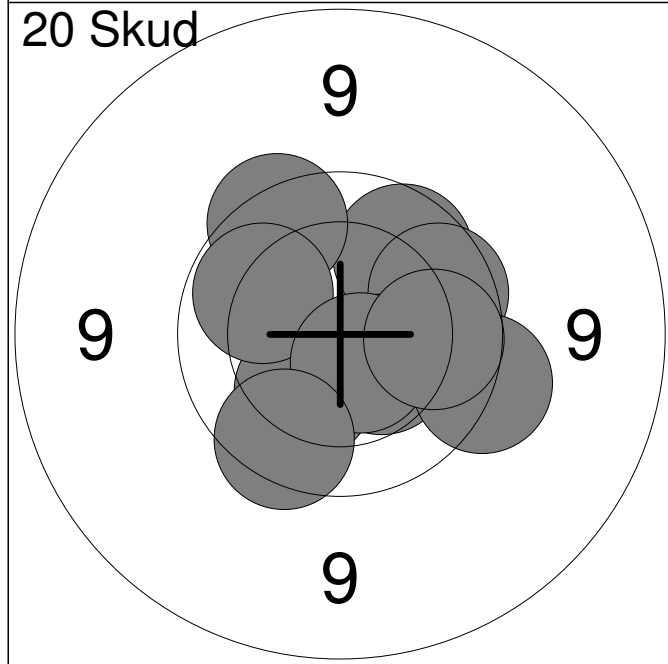
11:	9.9	↑
12:	9.4	→
13:	10.1	←
14:	10.1	↗
15:	9.1	←
16:	10.2	↗
17:	9.7	→
18:	9.8	→
19:	10.5	←
20:	10.2	→
<b>Serie</b>		<b>95.0</b>
<b>Total</b>		<b>183.0</b>



1:	9.4	↗
2:	9.8	↑
3:	8.7	→
4:	9.1	↗
5:	9.8	↗
6:	10.5x	↗

Serie	54.0
-------	------

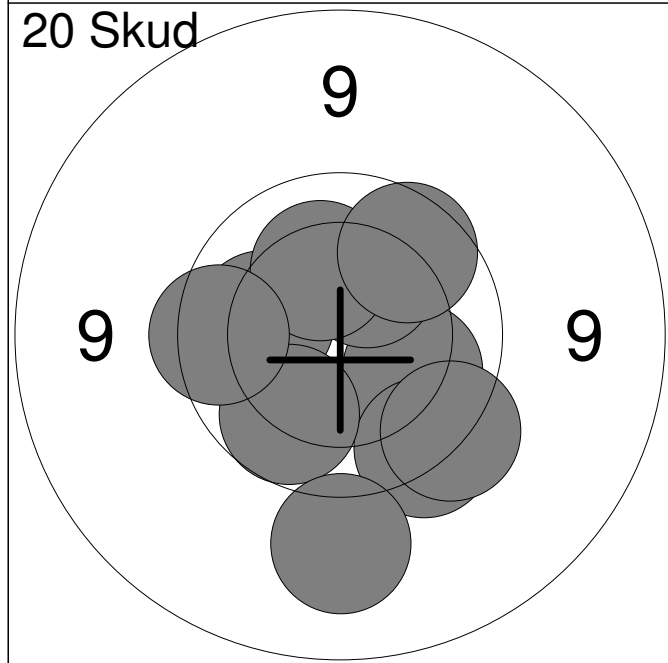
Total	0.0
-------	-----



1:	9.9	↗
2:	10.2	↘
3:	9.7	↗
4:	9.9	→
5:	10.4	↘
6:	9.6	↘
7:	10.0	↗
8:	10.6x	↘
9:	9.8	↘
10:	9.9	→

Serie	94.0
-------	------

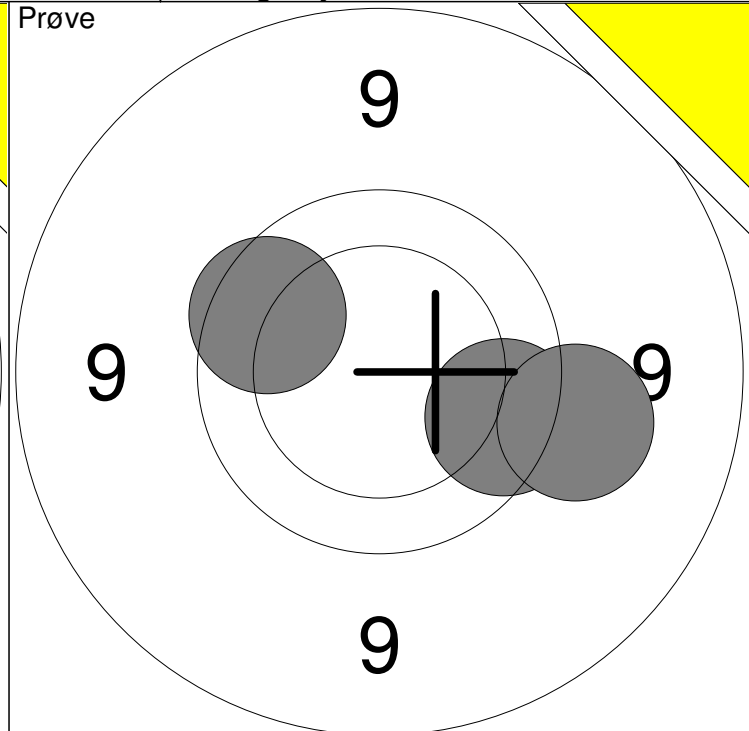
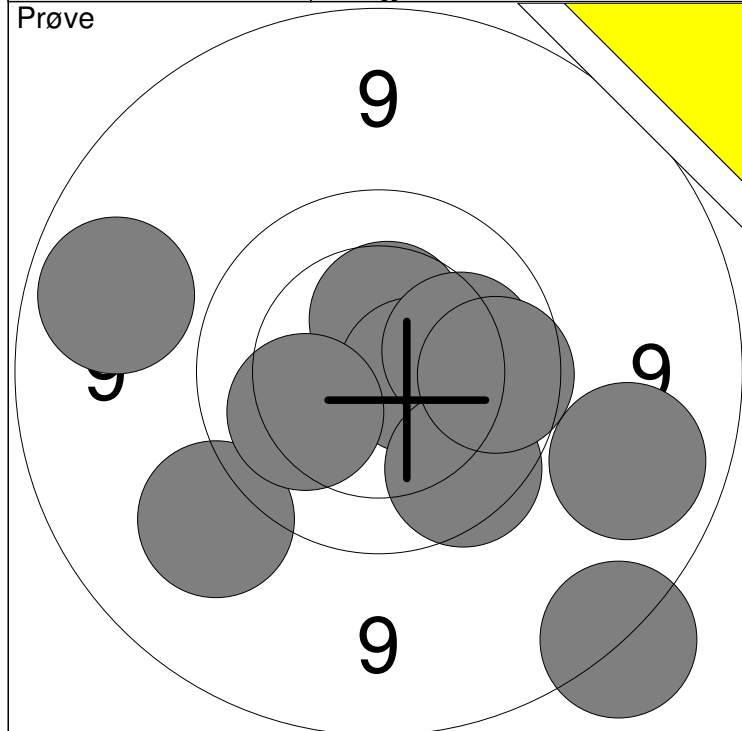
Total	94.0
-------	------



11:	10.1	↘
12:	9.7	↘
13:	10.1	←
14:	10.3	↗
15:	9.9	↘
16:	10.2	↗
17:	9.6	↘
18:	9.8	←
19:	9.2	↘
20:	9.9	↗

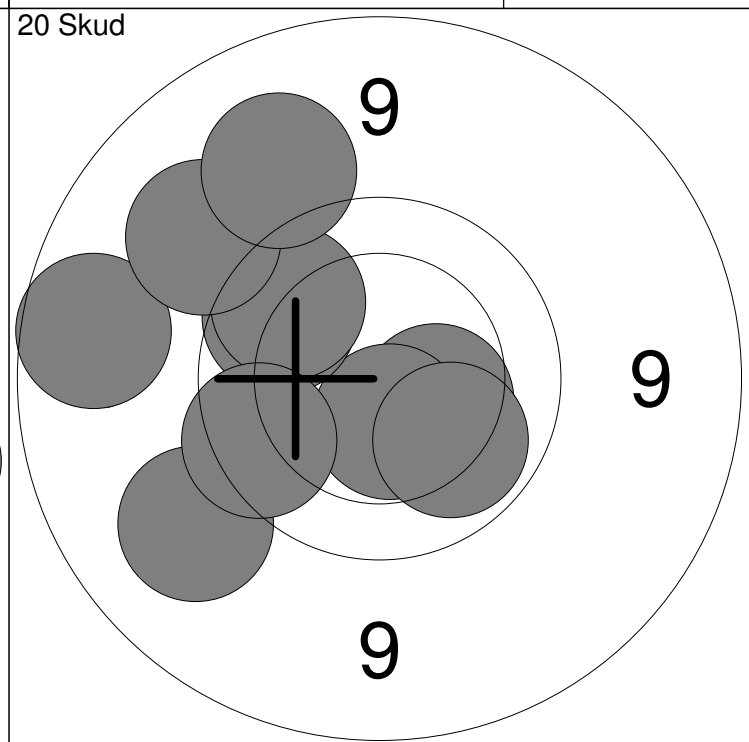
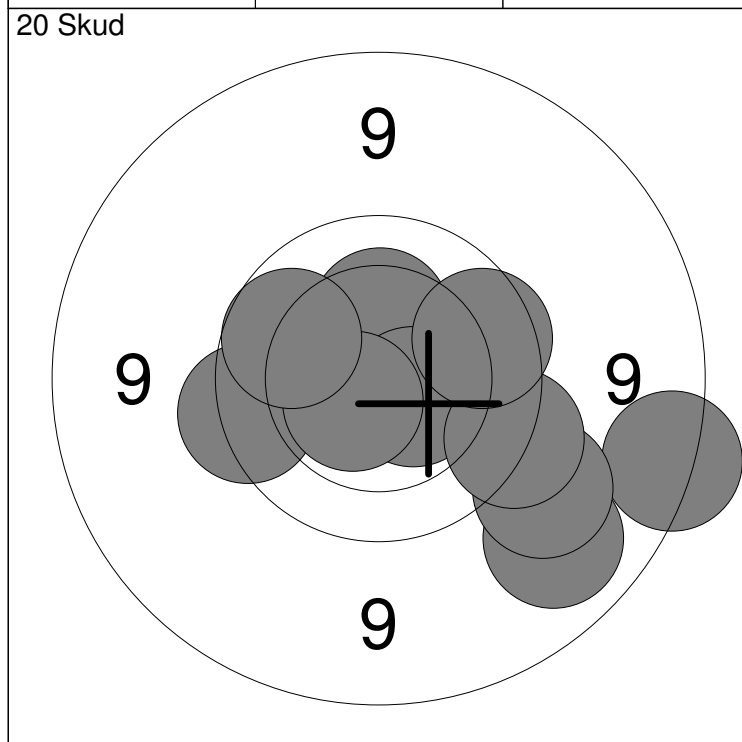
Serie	94.0
-------	------

Total	188.0
-------	-------



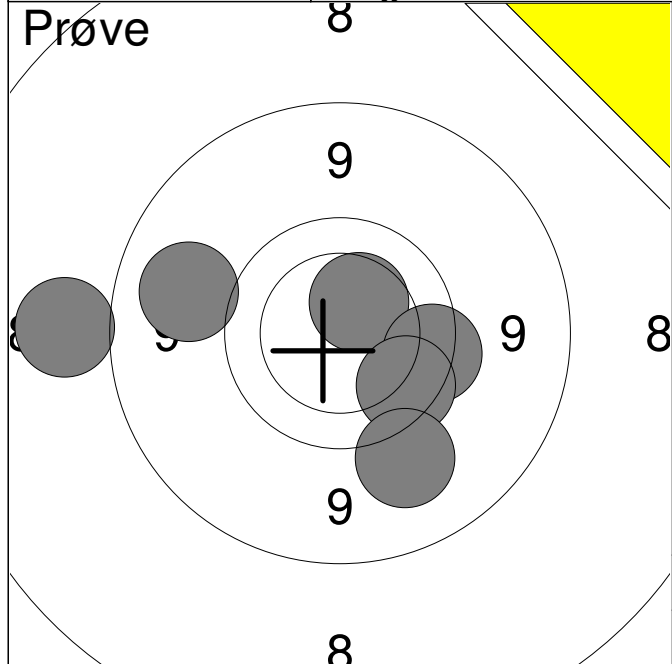
1: 9.3 ↙	6: 9.1 →	Serie	93
2: 10.4 ↑	7: 10.1 ↙		
3: 8.7 ↘	8: 10.1 →	Total	0
4: 9.0 ↖	9: 9.8 ↘		
5: 10.6x →	10: 9.9 →		

11: 9.8 →	Serie	27
12: 9.4 →		
13: 9.8 ↗	Total	0

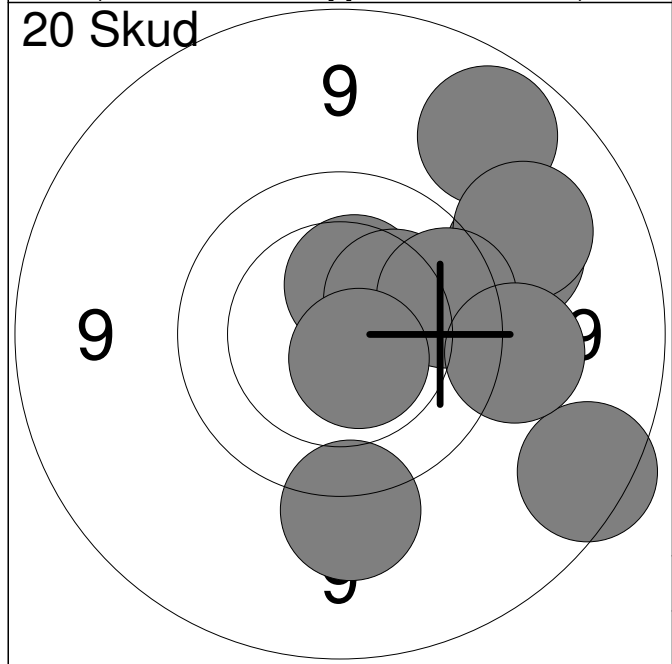


1: 8.8 →	6: 10.6x ↙	Serie	92
2: 10.3 ↑	7: 9.3 ↘		
3: 9.7 ↖	8: 9.9 ↗	Total	92
4: 9.1 ↘	9: 9.6 →		
5: 10.5x ↘	10: 9.8 →		

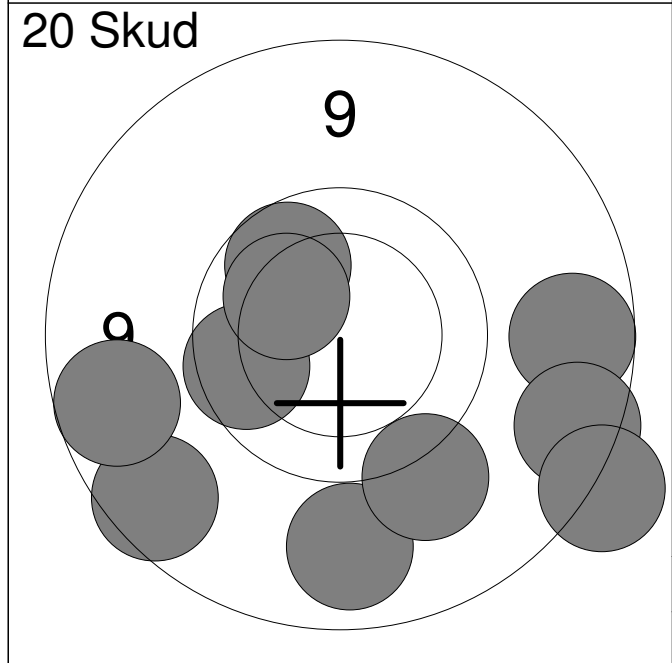
11: 9.2 ↙	16: 9.9 ↗	Serie	92
12: 10.4 →	17: 9.3 ↗		
13: 10.5x ↘	18: 10.0 ↘	Total	184
14: 9.9 ↗	19: 9.8 ↖		
15: 8.9 ↖	20: 9.2 ↗		



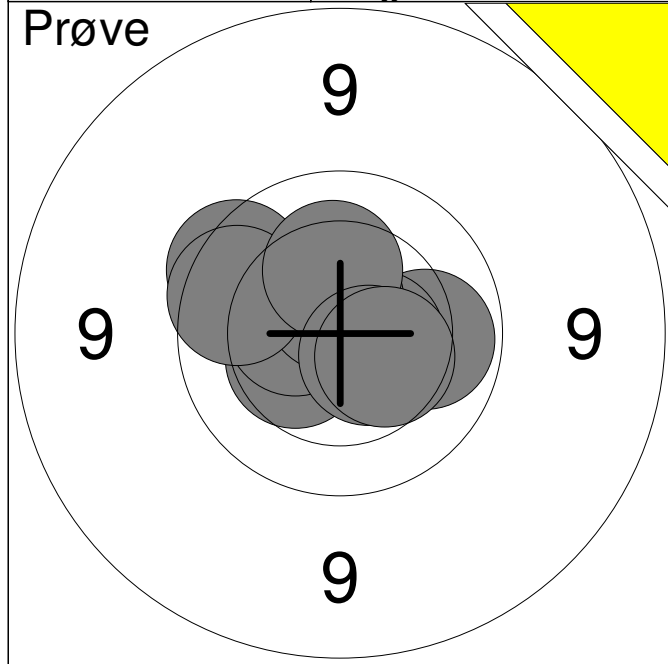
1:	10.4	↗
2:	9.7	→
3:	9.8	↘
4:	9.2	↖
5:	9.3	↘
6:	8.4	←
<b>Serie</b>		<b>54.0</b>
<b>Total</b>		<b>0.0</b>



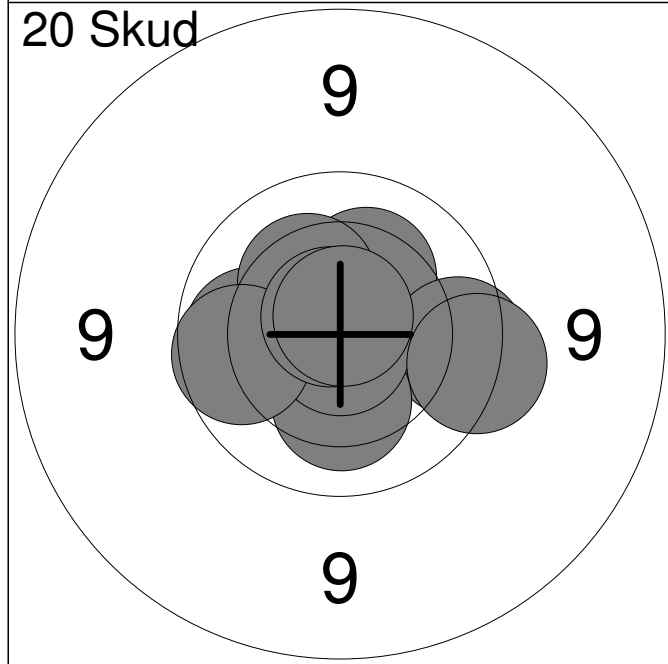
1:	9.3	→
2:	9.0	↗
3:	10.4	↗
4:	8.8	↘
5:	9.4	↘
6:	9.2	↗
7:	10.3	↗
8:	9.8	→
9:	10.6x	↘
10:	9.4	→
<b>Serie</b>		<b>92.0</b>
<b>Total</b>		<b>92.0</b>



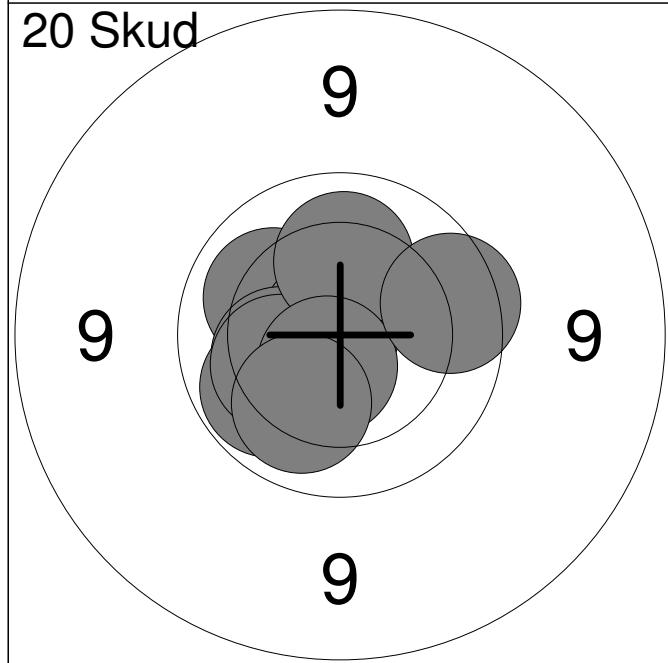
11:	9.1	↘
12:	8.9	→
13:	9.9	↗
14:	8.9	↘
15:	8.8	↘
16:	9.4	↘
17:	8.9	↖
18:	9.9	↖
19:	8.6	↘
20:	10.2	↗
<b>Serie</b>		<b>86.0</b>
<b>Total</b>		<b>178.0</b>



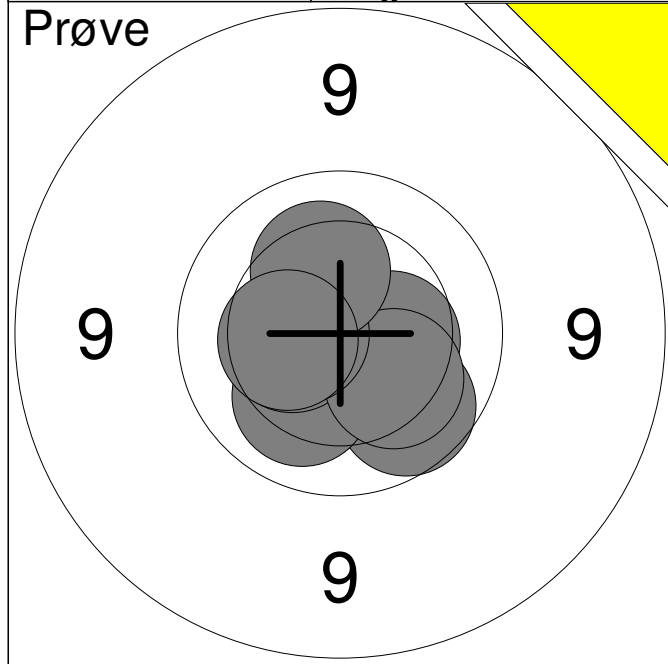
1:	10.0	→
2:	9.8	↗
3:	10.6x	→
4:	10.4	↖
5:	10.5	←
6:	10.6x	↑
7:	9.8	↖
8:	10.3	↑
9:	10.6x	↘
10:	10.4	↘
<b>Serie</b>		<b>98.0</b>
<b>Total</b>		<b>0.0</b>



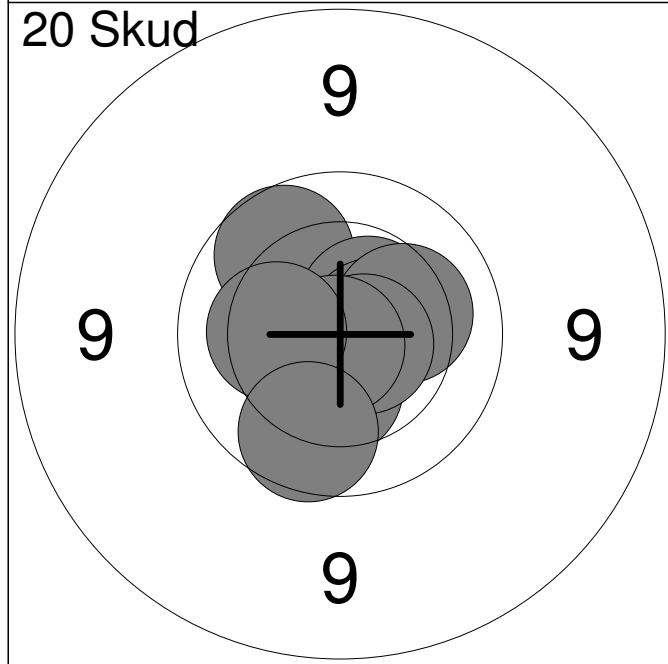
1:	10.3	↗
2:	9.8	→
3:	10.0	←
4:	10.3	↗
5:	10.2	↘
6:	10.8x	↘
7:	9.9	←
8:	10.7x	↗
9:	9.7	→
10:	10.7x	↑
<b>Serie</b>		<b>97.0</b>
<b>Total</b>		<b>97.0</b>



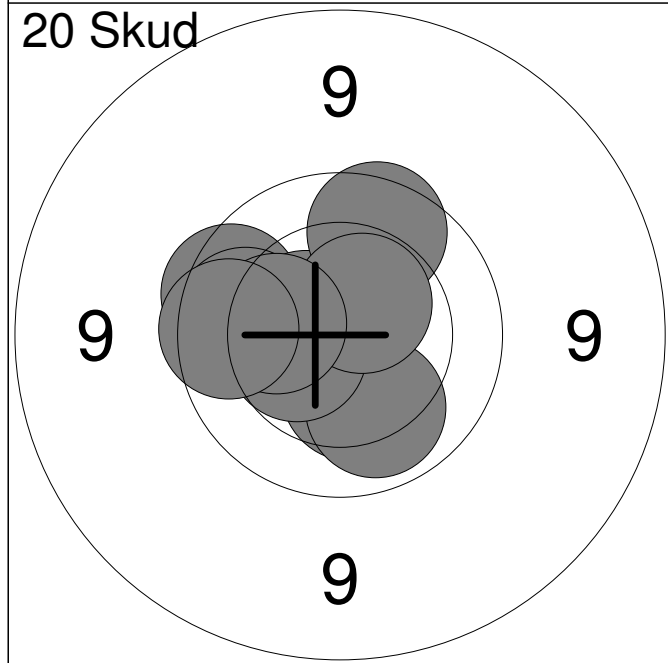
11:	10.4	↗
12:	10.1	↗
13:	10.8x	↗
14:	10.3	←
15:	10.0	↖
16:	10.2	←
17:	10.2	↑
18:	10.6x	↘
19:	9.8	→
20:	10.1	↘
<b>Serie</b>		<b>99.0</b>
<b>Total</b>		<b>196.0</b>



1:	10.5x	→
2:	10.3	↓
3:	10.4	→
4:	9.9	↓
5:	10.2	↓
6:	10.4	←
7:	10.2	↓
8:	10.5x	←
9:	10.3	↑
10:	10.4	←
<b>Serie</b>		<b>99.0</b>
<b>Total</b>		<b>0.0</b>



1:	10.7x	↙
2:	9.9	↗
3:	10.5x	↗
4:	10.4	↓
5:	10.6x	→
6:	10.2	→
7:	10.7x	→
8:	10.8x	↓
9:	10.3	←
10:	9.9	↓
<b>Serie</b>		<b>98.0</b>
<b>Total</b>		<b>98.0</b>



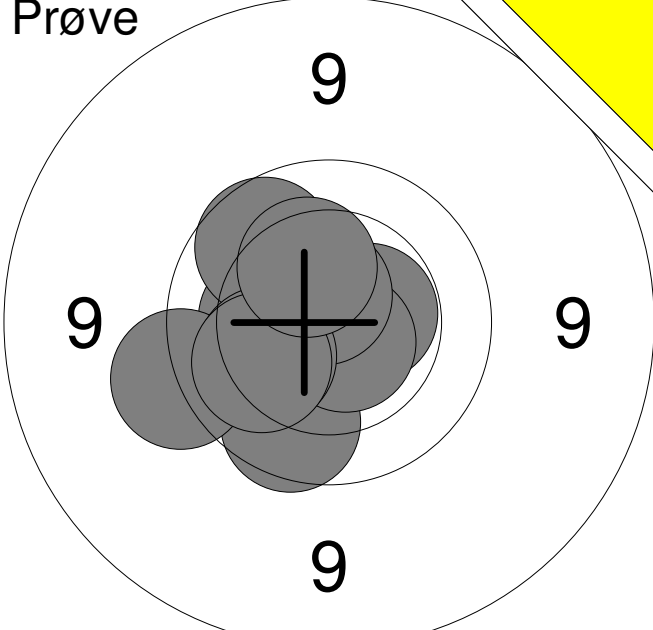
11:	10.3	↓
12:	10.1	↓
13:	9.8	←
14:	9.9	←
15:	10.5x	↖
16:	9.8	↑
17:	10.5	←
18:	10.5x	↗
19:	10.3	←
20:	9.8	←
<b>Serie</b>		<b>96.0</b>
<b>Total</b>		<b>194.0</b>



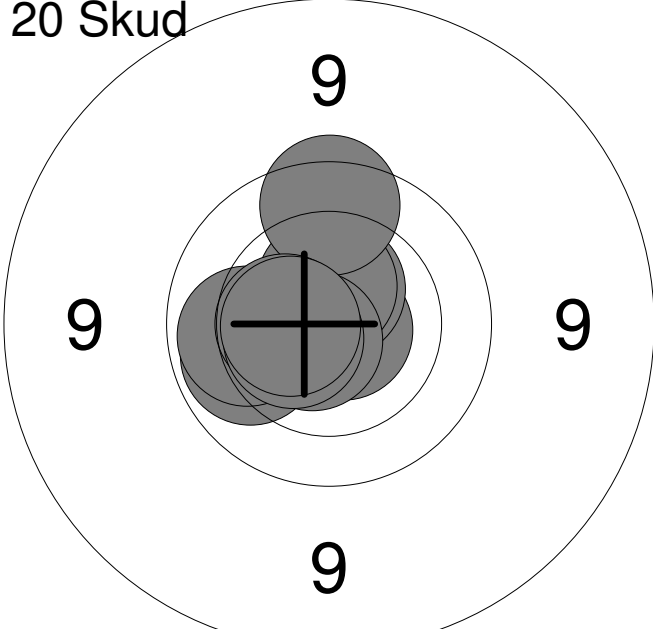
Hold <b>24</b>	Skive <b>10</b>	<b>Bodil Abildgaard</b>	
-------------------	--------------------	-------------------------	--

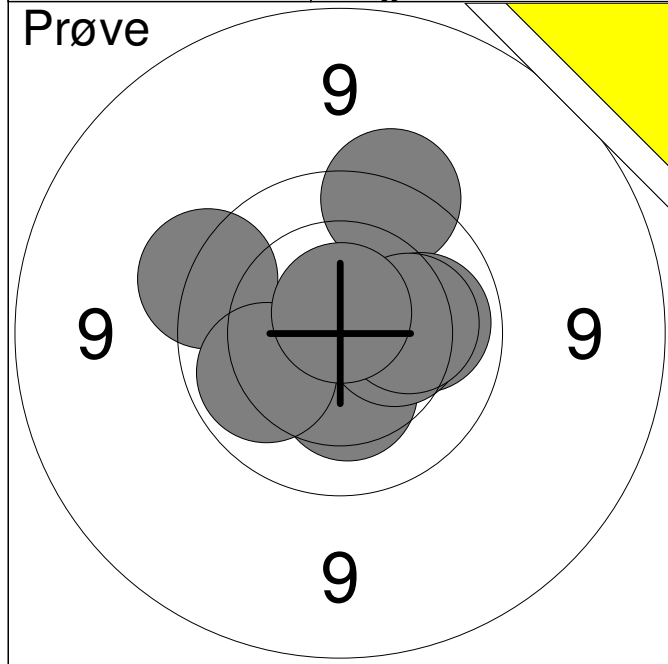
AAS	Hobro Egnens Skytteforening	VÅ1
-----	-----------------------------	-----

	Nordjysk Mesterskab senior 2016	Aalborg Skyttekreds
--	---------------------------------	---------------------

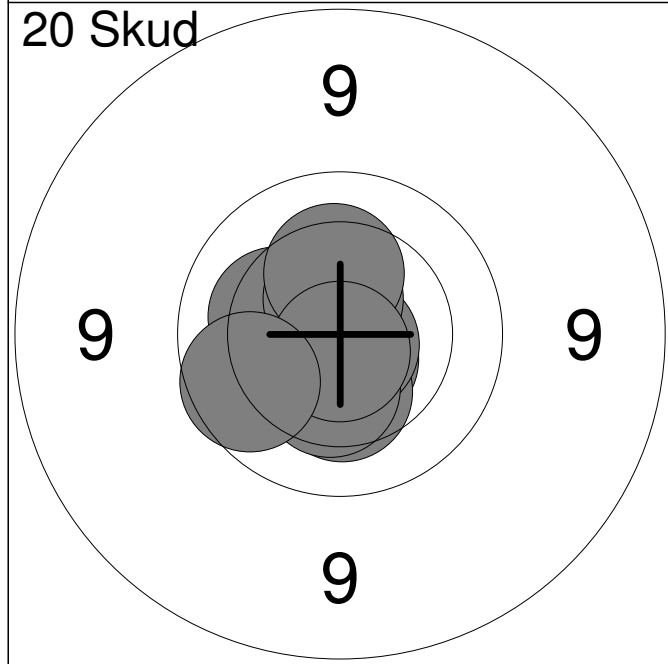
<b>Prøve</b> 	1:	9.9	↙
	2:	10.5x	→
	3:	10.3	←
	4:	9.9	↗
	5:	10.7x	↘
	6:	10.6x	↗
	7:	9.5	←
	8:	10.2	↙
	9:	10.1	↙
	10:	10.3	↗
	Serie		97.0
Total		0.0	

<b>20 Skud</b> 	1:	9.8	↖
	2:	10.1	↙
	3:	10.4	←
	4:	9.9	↓
	5:	10.2	→
	6:	10.5x	↗
	7:	10.5	↗
	8:	10.0	→
	9:	9.9	↙
	10:	10.9x	→
	Serie		97.0
Total		97.0	

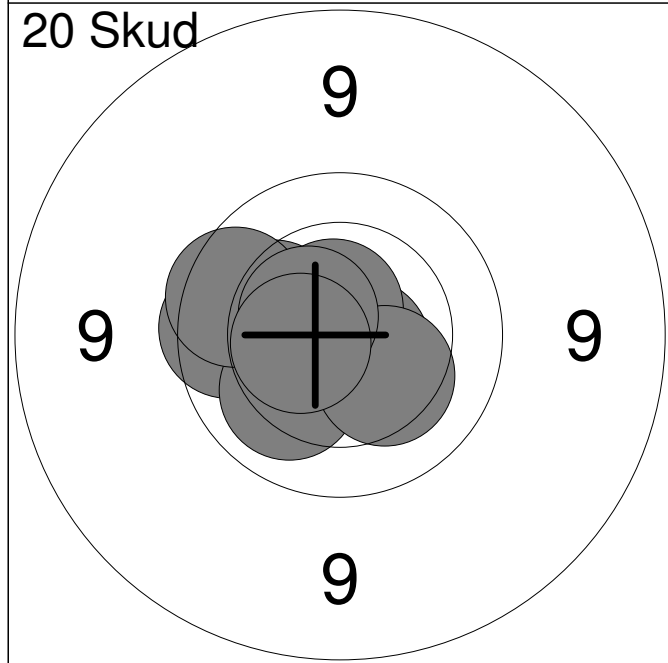
<b>20 Skud</b> 	11:	10.8x	→
	12:	10.0	←
	13:	10.6x	↑
	14:	10.1	←
	15:	10.5x	↑
	16:	9.8	↑
	17:	10.7x	↙
	18:	10.5	←
	19:	10.5x	↙
	20:	10.5x	←
	Serie		99.0
Total		196.0	



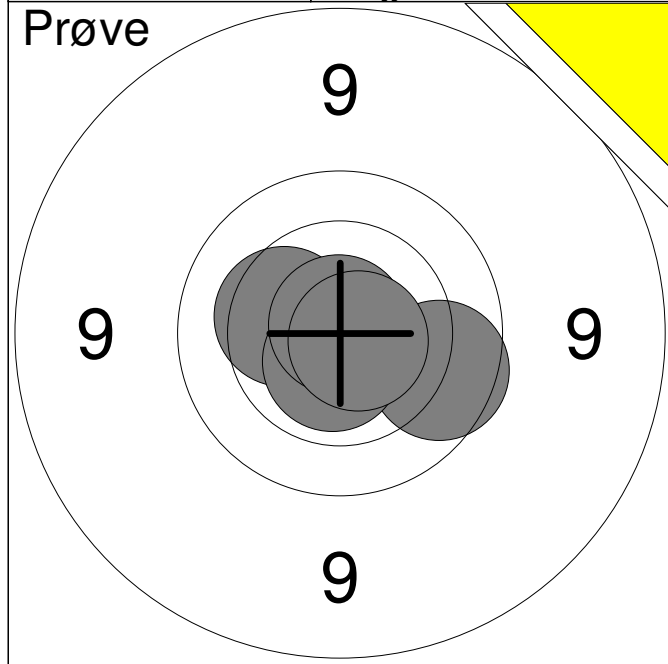
1:	9.6	↗
2:	9.6	↖
3:	10.3	↓
4:	10.0	↙
5:	10.1	→
6:	10.4	→
7:	10.2	→
8:	10.7x	↑
<b>Serie</b>		<b>78.0</b>
<b>Total</b>		<b>0.0</b>



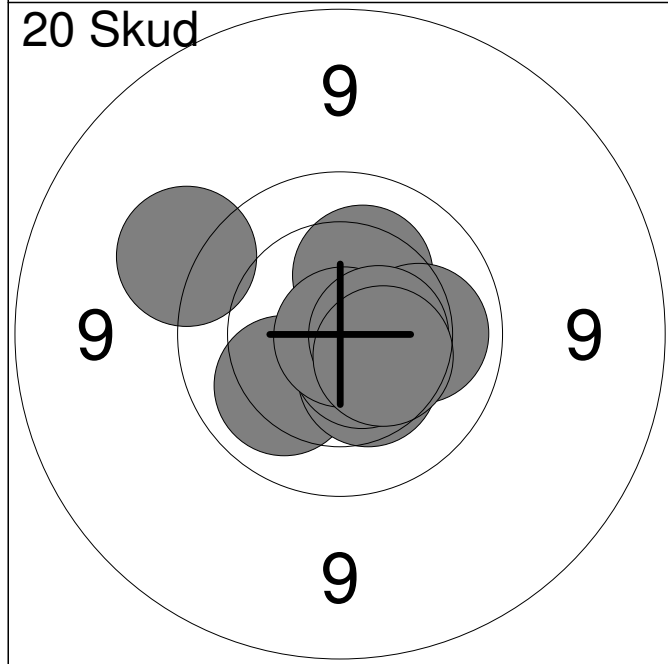
1:	10.7x	↓
2:	10.3	↓
3:	10.8x	↓
4:	10.3	↖
5:	10.4	↙
6:	10.6x	↑
7:	10.3	↑
8:	10.4	↓
9:	10.8x	↓
10:	9.9	↙
<b>Serie</b>		<b>99.0</b>
<b>Total</b>		<b>99.0</b>



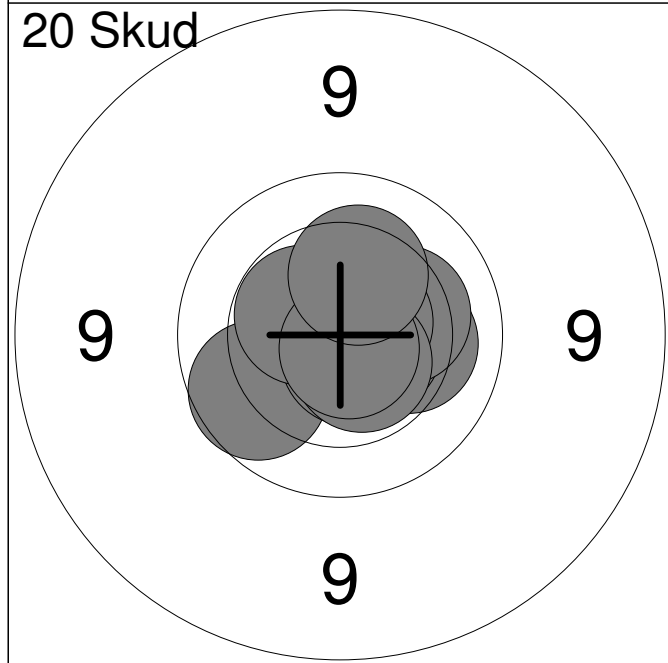
11:	9.8	↖
12:	10.7x	↘
13:	10.7x	↓
14:	10.7x	↑
15:	10.2	↖
16:	10.1	↙
17:	10.3	↘
18:	9.8	↖
19:	10.6x	↗
20:	10.5x	↖
<b>Serie</b>		<b>98.0</b>
<b>Total</b>		<b>197.0</b>



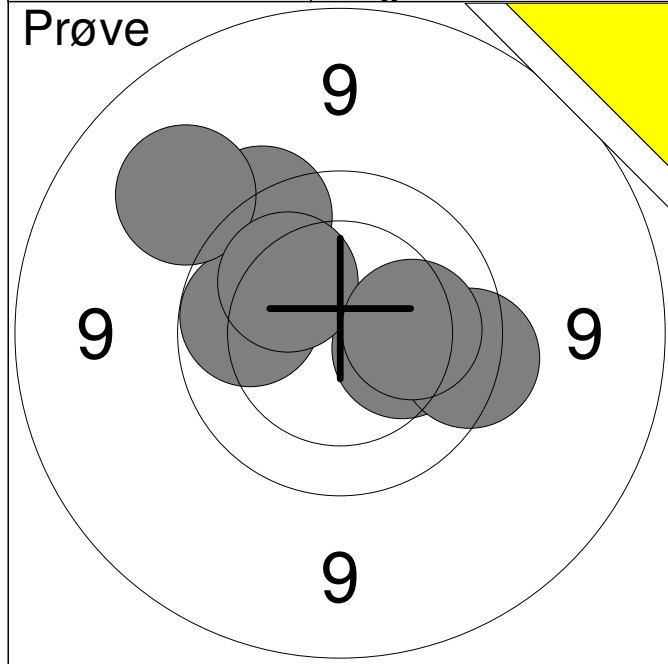
1:	9.9	→
2:	10.3	←
3:	10.6x	↓
4:	10.9x	↑
5:	10.7x	↓
<b>Serie</b>		<b>49.0</b>
<b>Total</b>		<b>0.0</b>



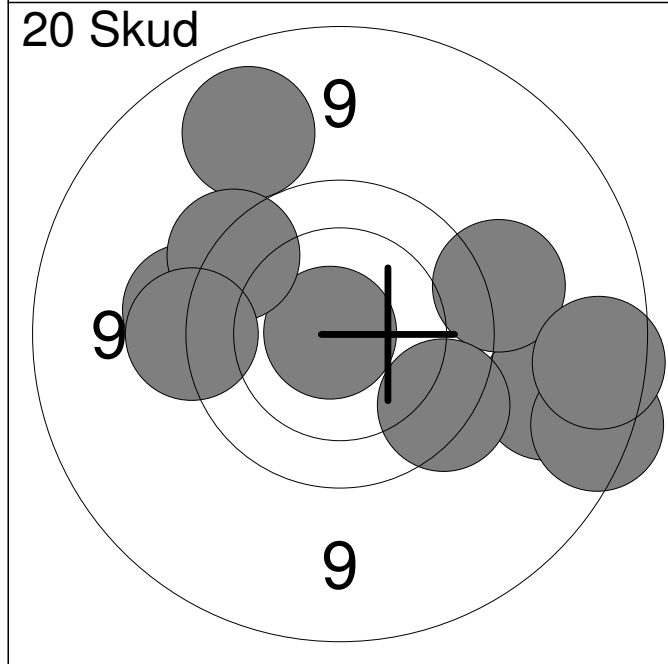
1:	10.1	↙
2:	10.4	↓
3:	10.8x	→
4:	10.3	↑
5:	10.6x	↓
6:	10.9x	↓
7:	10.1	→
8:	9.5	↗
9:	10.5x	→
10:	10.4	↘
<b>Serie</b>		<b>99.0</b>
<b>Total</b>		<b>99.0</b>



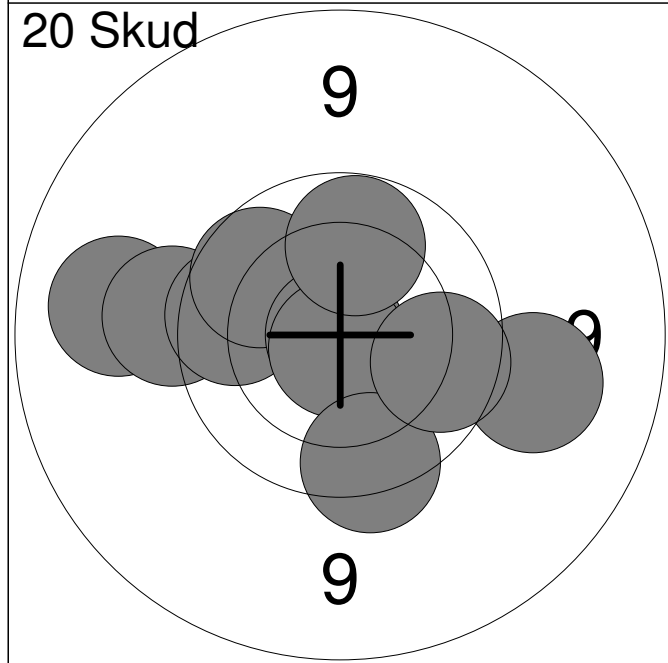
11:	10.2	→
12:	10.6x	→
13:	9.9	↙
14:	10.3	→
15:	10.7x	↓
16:	10.7x	↗
17:	10.6x	↓
18:	10.5x	↗
19:	10.8x	↓
20:	10.3	↑
<b>Serie</b>		<b>99.0</b>
<b>Total</b>		<b>198.0</b>



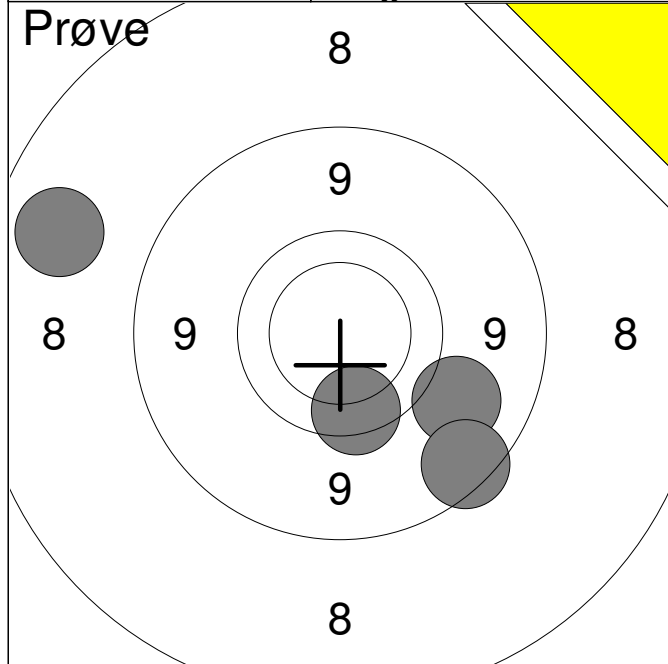
1:	9.7	↗
2:	10.0	←
3:	10.3	→
4:	9.2	↗
5:	10.2	↗
6:	9.7	→
7:	10.2	→
<b>Serie</b>		<b>67.0</b>
<b>Total</b>		<b>0.0</b>



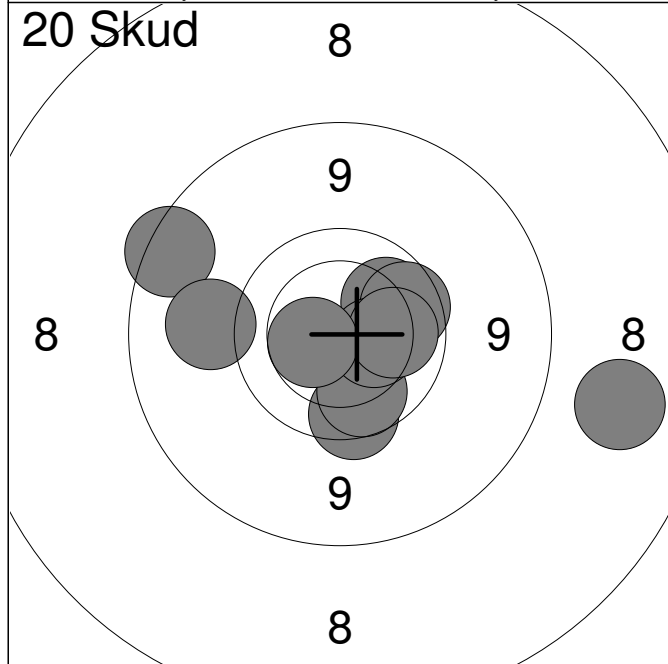
1:	9.1	→
2:	9.4	→
3:	9.7	↘
4:	9.1	↗
5:	9.5	←
6:	8.8	↘
7:	10.8x	←
8:	8.9	→
9:	9.7	↗
10:	9.6	←
<b>Serie</b>		<b>89.0</b>
<b>Total</b>		<b>89.0</b>



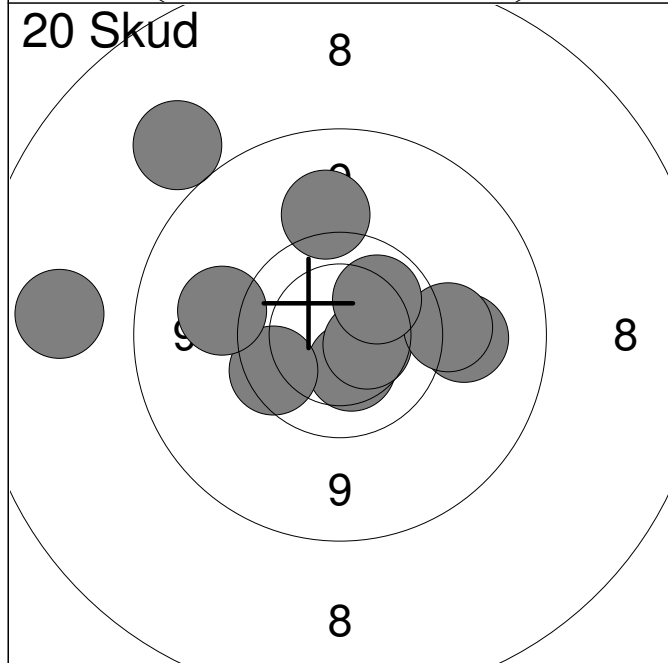
11:	9.1	←
12:	9.5	←
13:	9.9	←
14:	9.9	↗
15:	10.9x	←
16:	10.8x	↘
17:	9.7	↘
18:	10.0	↗
19:	9.3	→
20:	9.9	→
<b>Serie</b>		<b>93.0</b>
<b>Total</b>		<b>182.0</b>



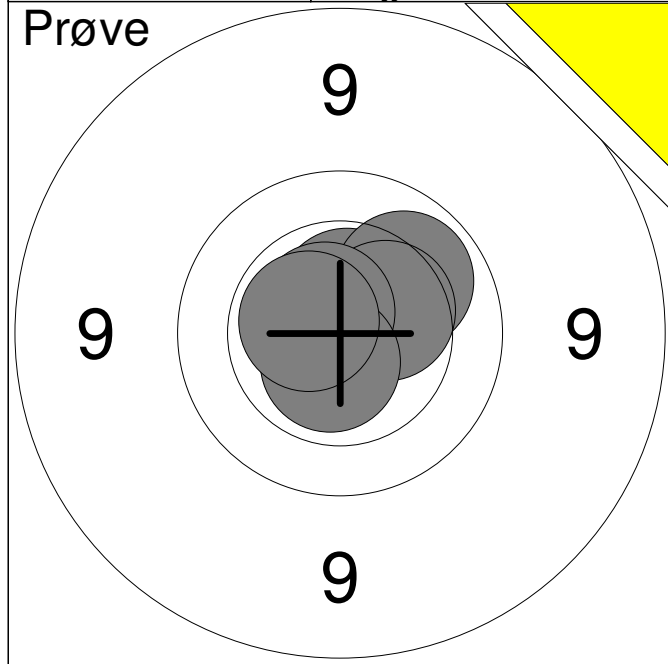
1:	9.8	↓
2:	9.2	↘
3:	8.1	↗
4:	8.8	↓
<b>Serie</b>		<b>34.0</b>
<b>Total</b>		<b>0.0</b>



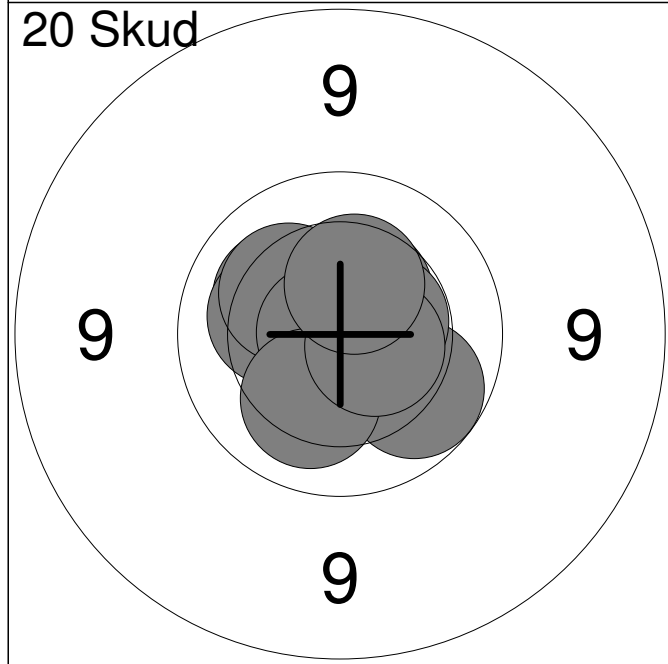
1:	9.8	↓
2:	9.9	↓
3:	10.0	↗
4:	9.9	↗
5:	10.4	→
6:	10.1	→
7:	8.2	→
8:	8.8	↗
9:	9.3	←
10:	10.5	←
<b>Serie</b>		<b>92.0</b>
<b>Total</b>		<b>92.0</b>



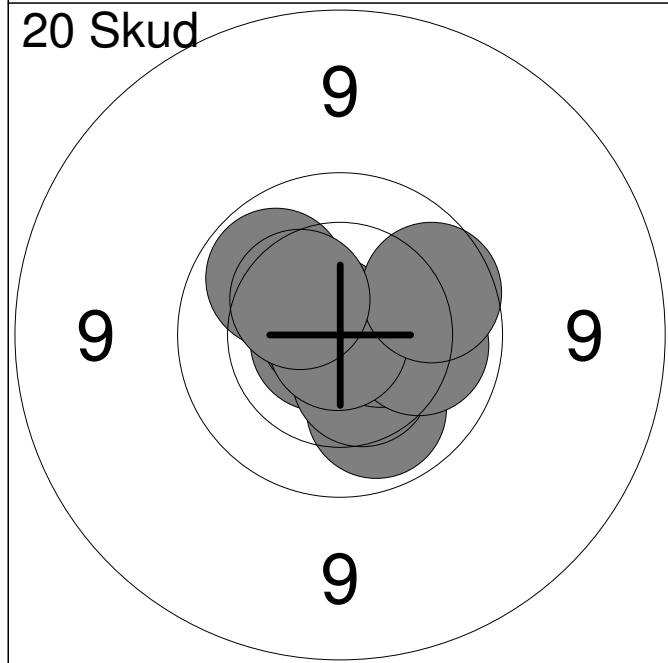
11:	10.4	↓
12:	9.8	↙
13:	8.2	←
14:	9.3	→
15:	10.5	→
16:	9.5	→
17:	9.3	↑
18:	8.4	↗
19:	9.4	←
20:	10.1	↗
<b>Serie</b>		<b>91.0</b>
<b>Total</b>		<b>183.0</b>



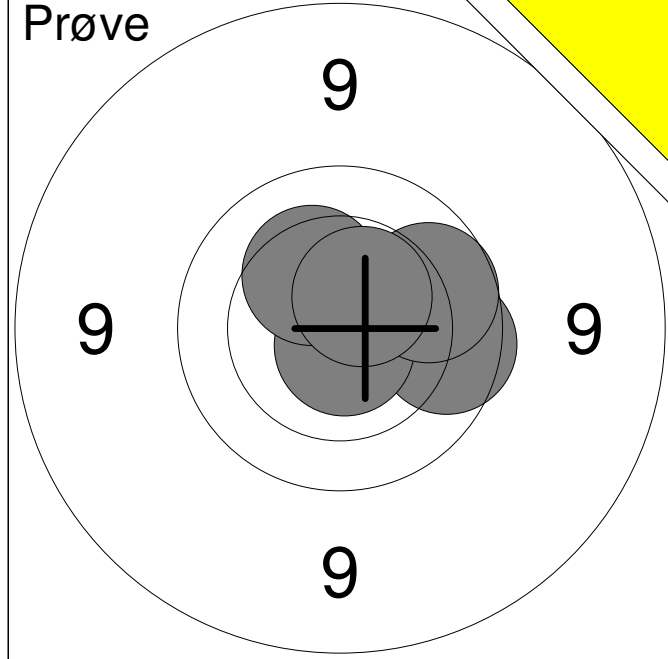
1:	10.6x	↑
2:	10.1	↗
3:	10.4	→
4:	10.7x	↑
5:	10.6x	↓
6:	10.6x	↖
<b>Serie</b>		<b>60.0</b>
<b>Total</b>		<b>0.0</b>



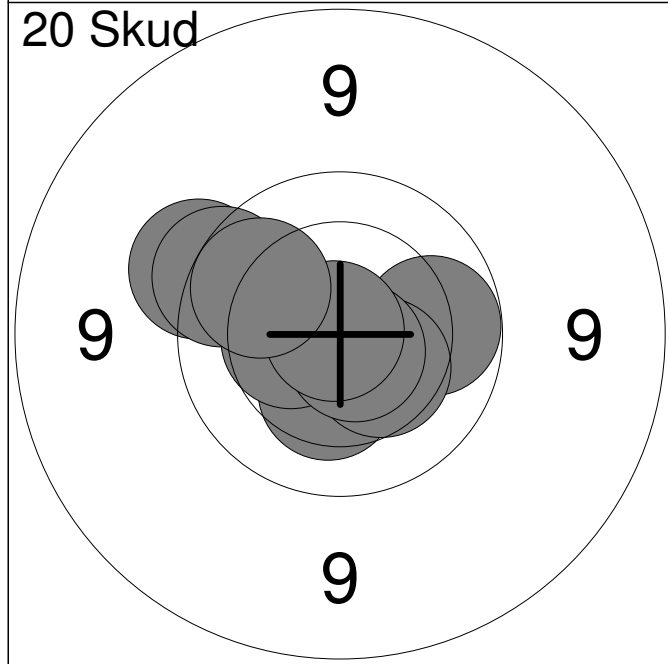
1:	10.5	↗
2:	10.2	↗
3:	10.2	↖
4:	10.2	↗
5:	10.0	↓
6:	10.8x	↖
7:	10.5x	→
8:	10.2	↓
9:	10.6x	→
10:	10.4	↑
<b>Serie</b>		<b>100.0</b>
<b>Total</b>		<b>100.0</b>



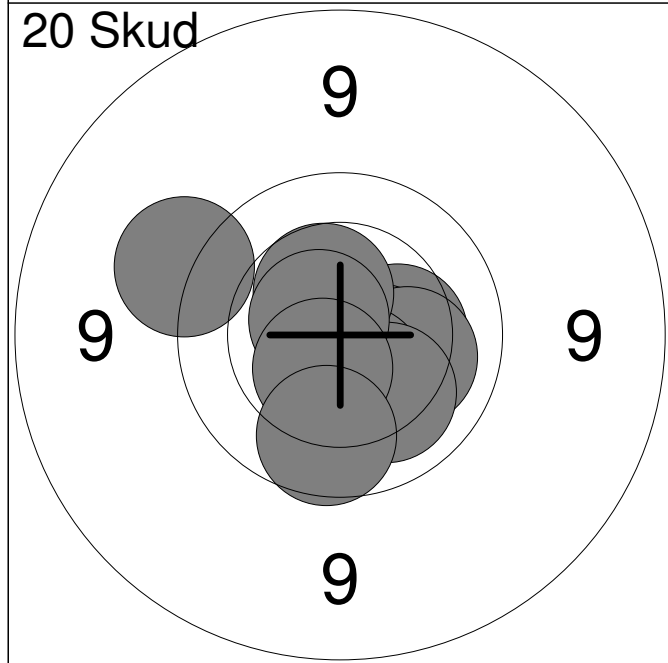
11:	10.7x	←
12:	10.1	↓
13:	10.4	↓
14:	10.5x	→
15:	10.0	↗
16:	10.1	→
17:	10.8x	↗
18:	10.9x	↓
19:	9.9	→
20:	10.4	↗
<b>Serie</b>		<b>99.0</b>
<b>Total</b>		<b>199.0</b>



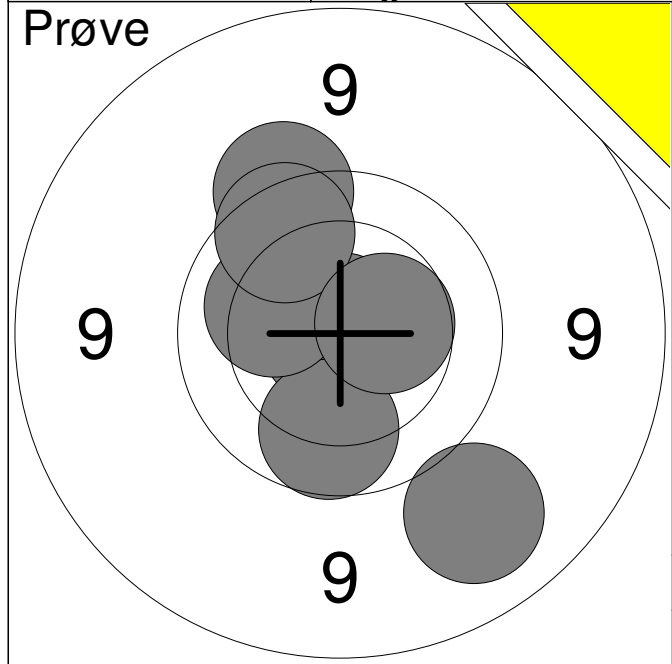
1:	9.9	→
2:	10.8x	↓
3:	9.9	→
4:	10.3	↑
5:	10.5x	↗
Serie		48.0
Total		0.0



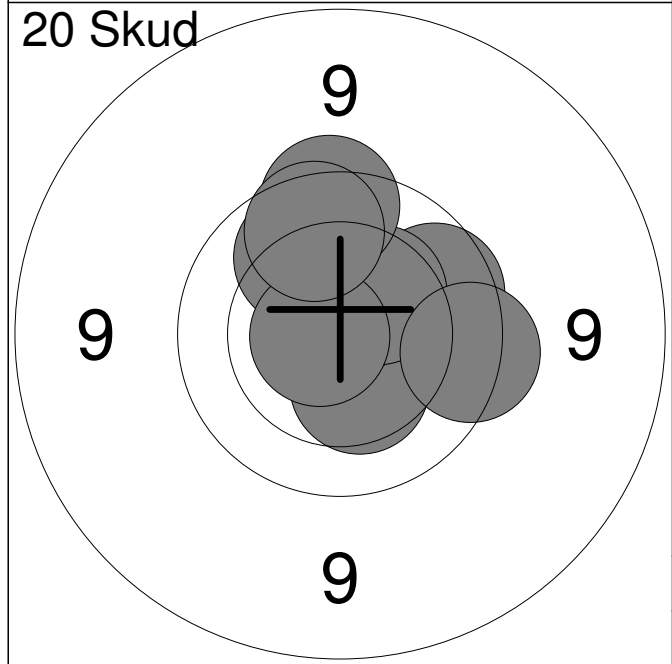
1:	10.0	→
2:	10.4	↓
3:	9.6	↗
4:	10.3	↓
5:	10.4	↓
6:	9.7	↗
7:	10.4	←
8:	10.7x	↓
9:	10.9x	↗
10:	10.0	↗
Serie		98.0
Total		98.0



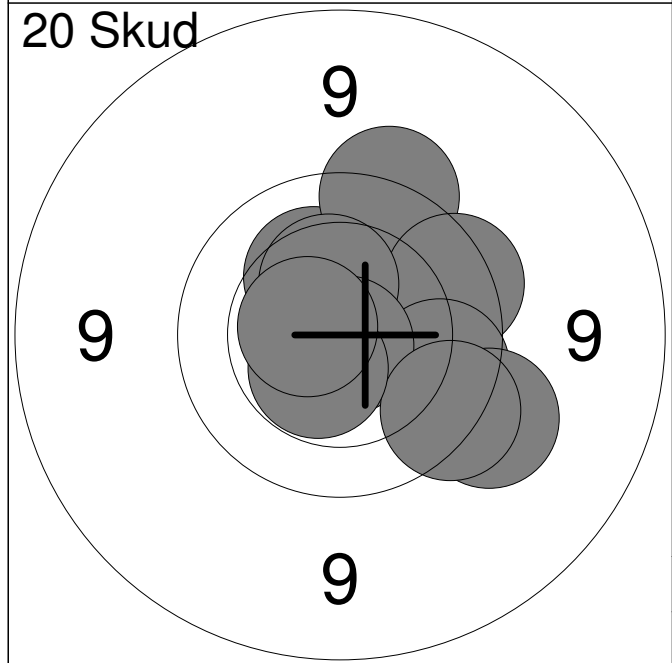
11:	10.3	→
12:	10.5x	↓
13:	10.2	↓
14:	10.5	↓
15:	10.5	↗
16:	10.2	↓
17:	10.7x	↗
18:	10.5x	↓
19:	9.9	↓
20:	9.5	↗
Serie		98.0
Total		196.0



1:	9.1	↘
2:	10.8x	←
3:	10.8x	↑
4:	9.9	↘
5:	10.2	↖
6:	9.6	↗
7:	9.8	↗
8:	10.5	→
<b>Serie</b>		<b>76.0</b>
<b>Total</b>		<b>0.0</b>

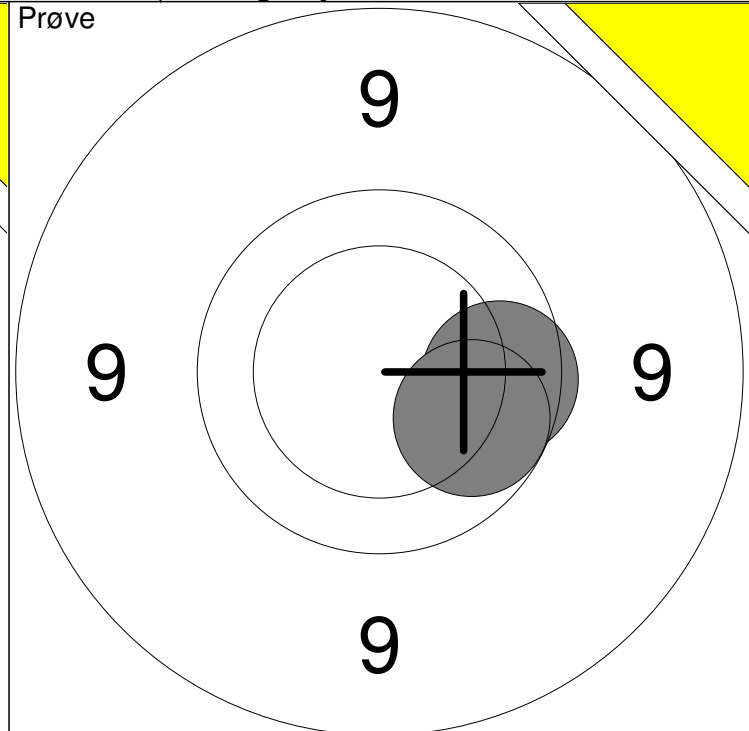
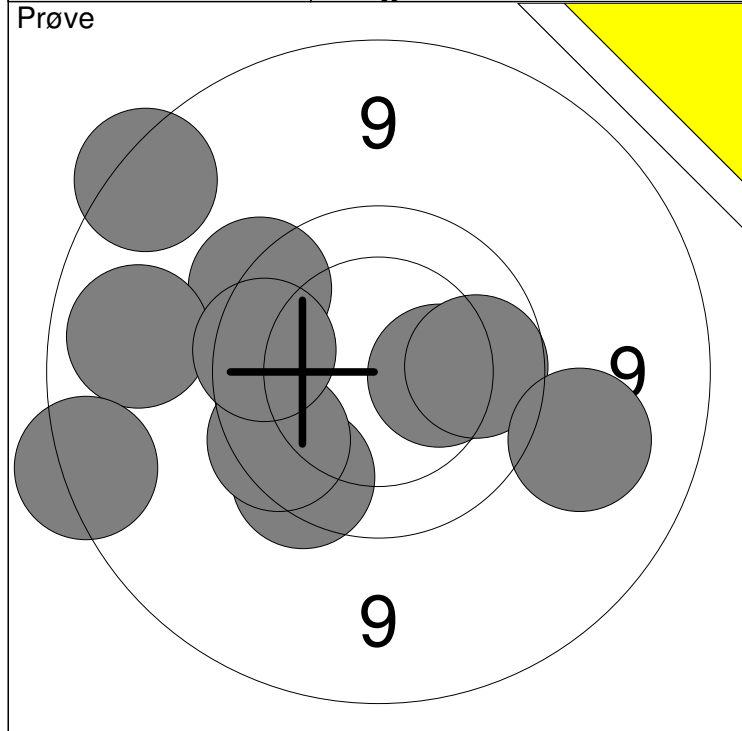


1:	10.0	↖
2:	10.3	↗
3:	10.4	↘
4:	10.7x	↑
5:	9.9	↗
6:	10.4	↗
7:	10.7x	←
8:	9.7	→
9:	9.7	↑
10:	9.9	↑
<b>Serie</b>		<b>96.0</b>
<b>Total</b>		<b>96.0</b>



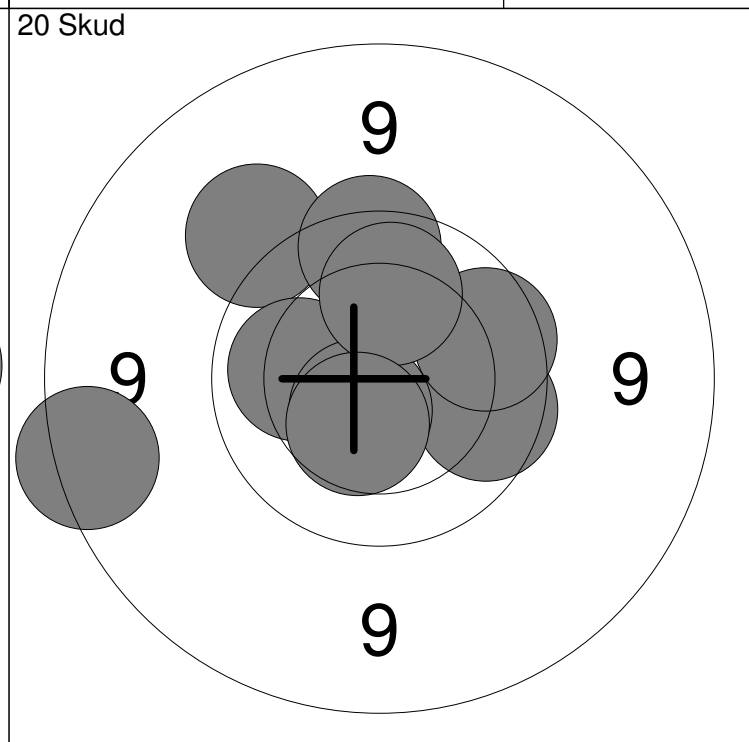
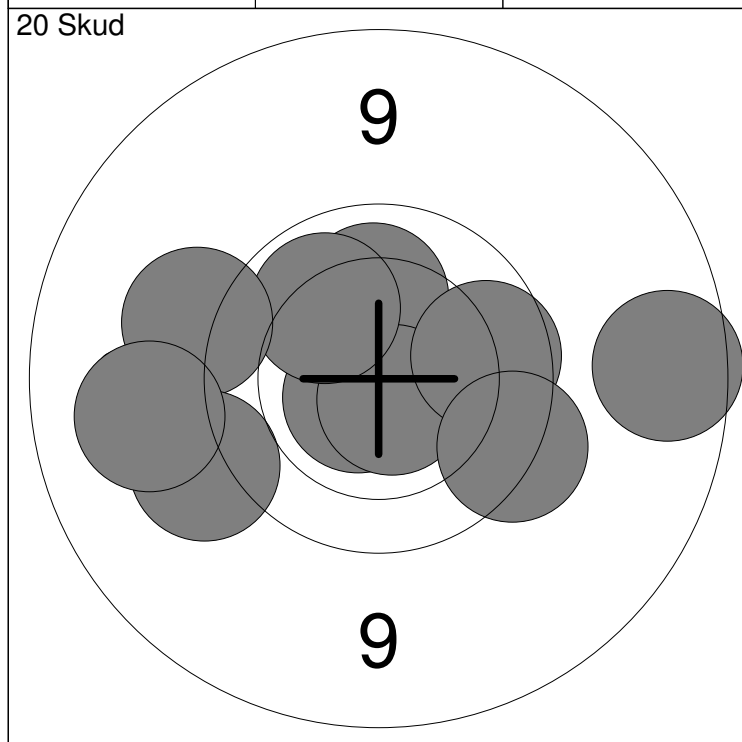
11:	10.3	↖
12:	9.6	↑
13:	9.7	↗
14:	10.4	↑
15:	9.9	↗
16:	10.8x	↘
17:	9.5	↘
18:	9.7	↘
19:	10.5x	↘
20:	10.6x	←
<b>Serie</b>		<b>95.0</b>
<b>Total</b>		<b>191.0</b>





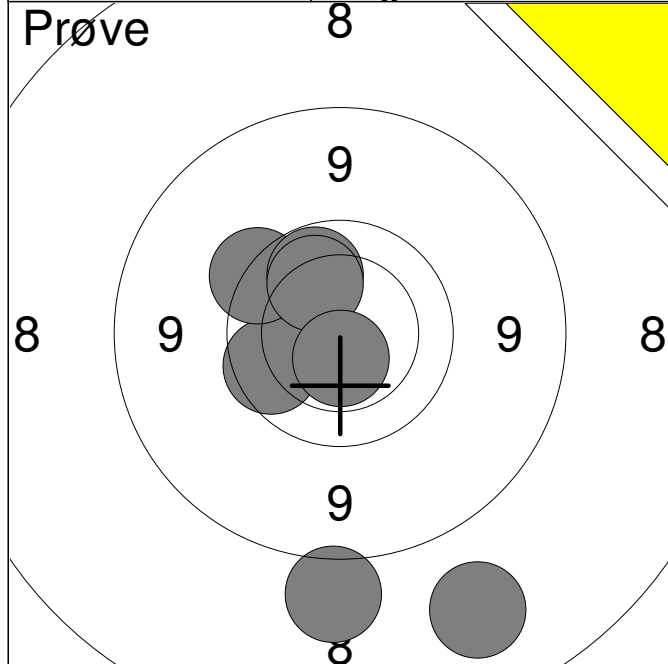
1: 9.7 ↙	6: 9.8 ↙	Serie	89
2: 9.6 ↗	7: 9.9 →		
3: 10.3 →	8: 9.2 ↘	Total	0
4: 9.1 ←	9: 9.8 ←		
5: 8.8 ↗	10: 8.8 ←		

11: 9.9 →	Serie	19
12: 10.0 ↘		
Total		0

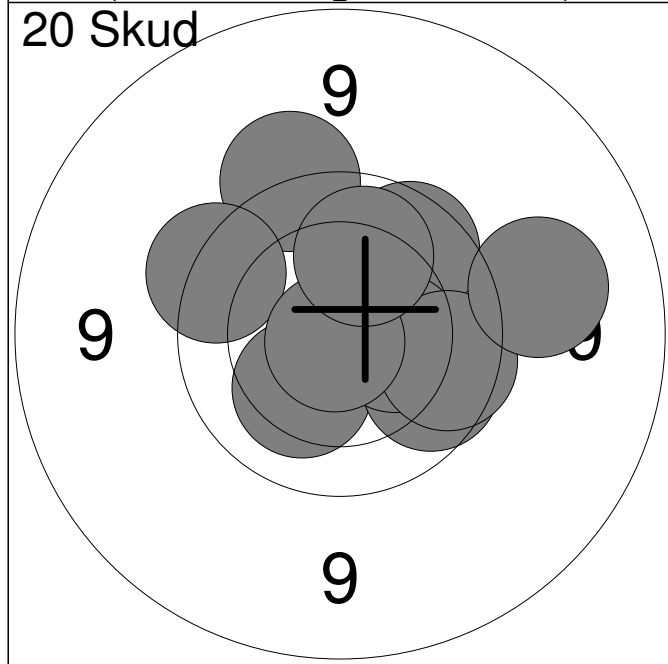


1: 10.1 ↑	6: 9.4 ↙	Serie	93
2: 8.9 →	7: 9.4 ↙		
3: 10.7x ↙	8: 9.2 ←	Total	93
4: 10.7x ↘	9: 9.9 →		
5: 10.1 ↗	10: 9.7 ↘		

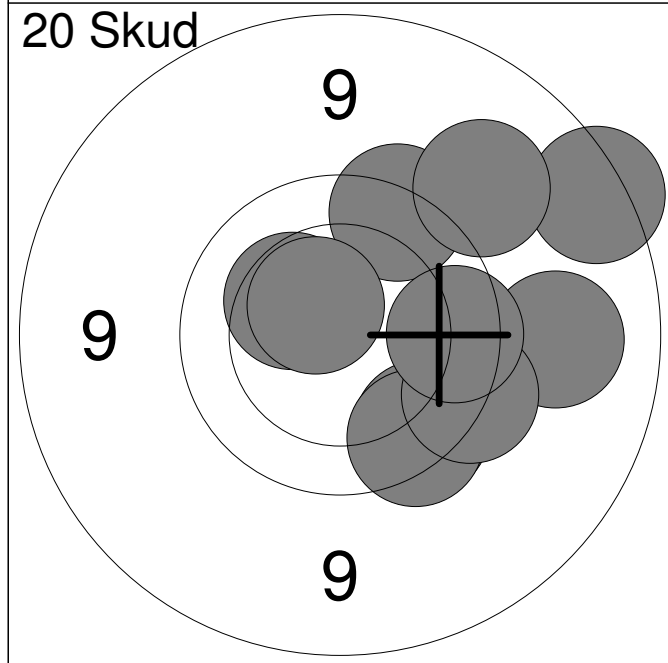
11: 9.4 ↗	16: 10.6x ↘	Serie	94
12: 10.4 ←	17: 9.8 →		
13: 9.9 →	18: 8.8 ←	Total	187
14: 9.7 ↑	19: 10.1 ↑		
15: 10.1 ←	20: 10.4 ↘		



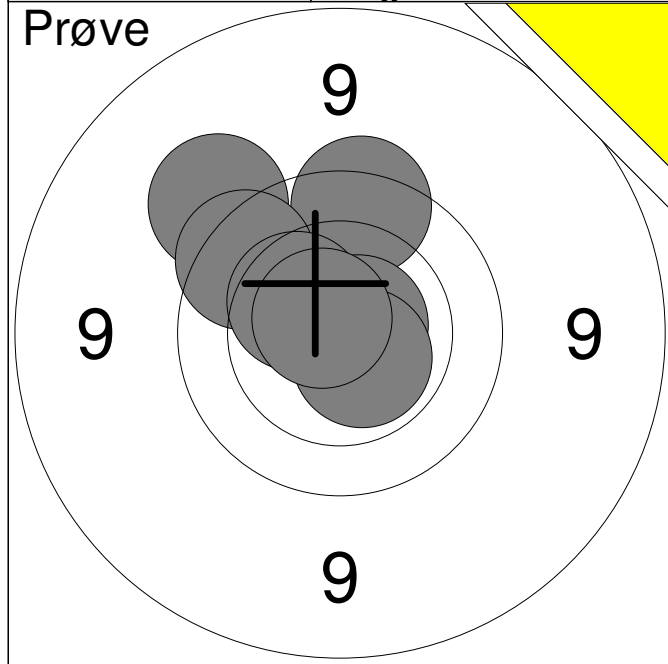
1:	8.5	↓
2:	8.2	↓
3:	9.8	←
4:	9.6	↗
5:	10.0	↗
6:	10.1	↗
7:	10.6x	↓
<b>Serie</b>		<b>64.0</b>
<b>Total</b>		<b>0.0</b>



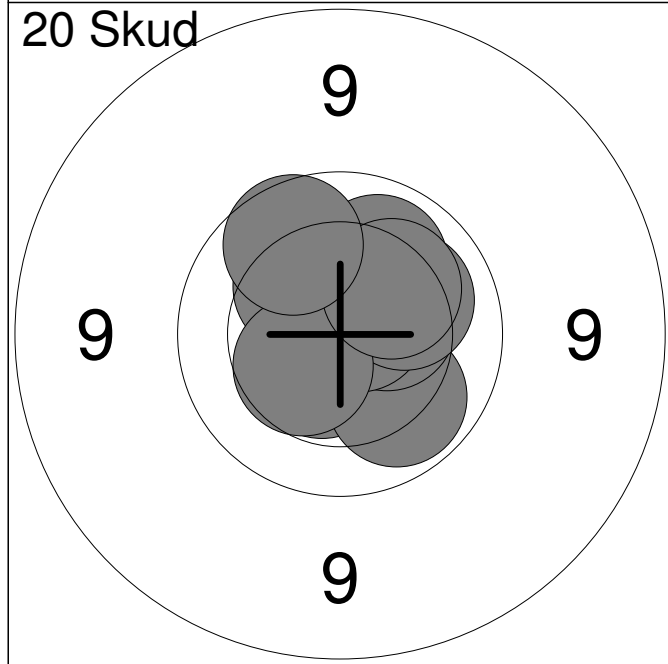
1:	9.5	↖
2:	9.7	↖
3:	10.2	↙
4:	9.9	↘
5:	9.9	↗
6:	10.4	→
7:	9.8	→
8:	10.8x	↙
9:	10.1	↖
10:	9.3	→
<b>Serie</b>		<b>94.0</b>
<b>Total</b>		<b>94.0</b>



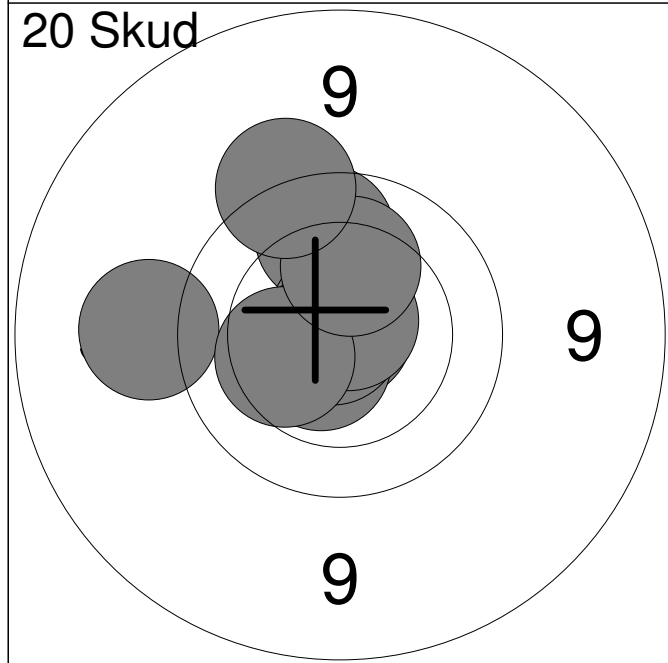
11:	8.8	↗
12:	10.3	↖
13:	9.7	↙
14:	9.7	↙
15:	9.7	↖
16:	10.5x	↖
17:	9.2	→
18:	9.2	↖
19:	9.6	↘
20:	9.8	→
<b>Serie</b>		<b>91.0</b>
<b>Total</b>		<b>185.0</b>



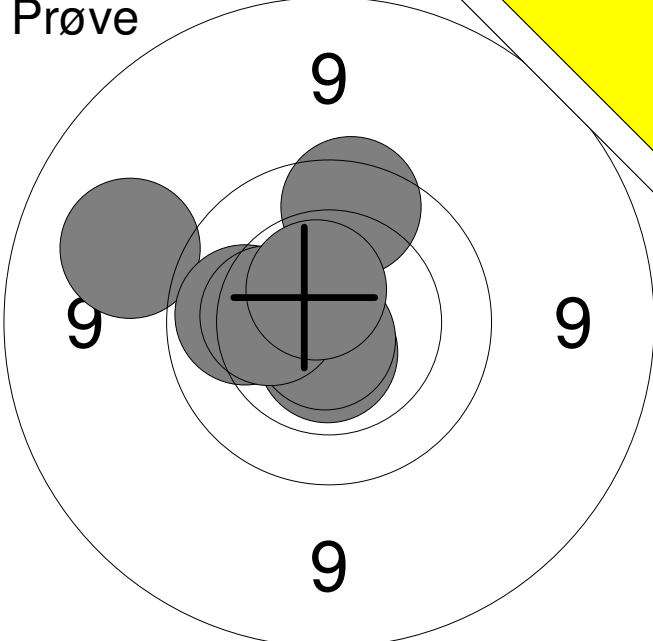
1:	9.7	↑
2:	9.4	↗
3:	9.8	↗
4:	10.7x	→
5:	10.6x	↘
6:	10.4	↗
7:	10.7x	↗
<b>Serie</b>		<b>67.0</b>
<b>Total</b>		<b>0.0</b>

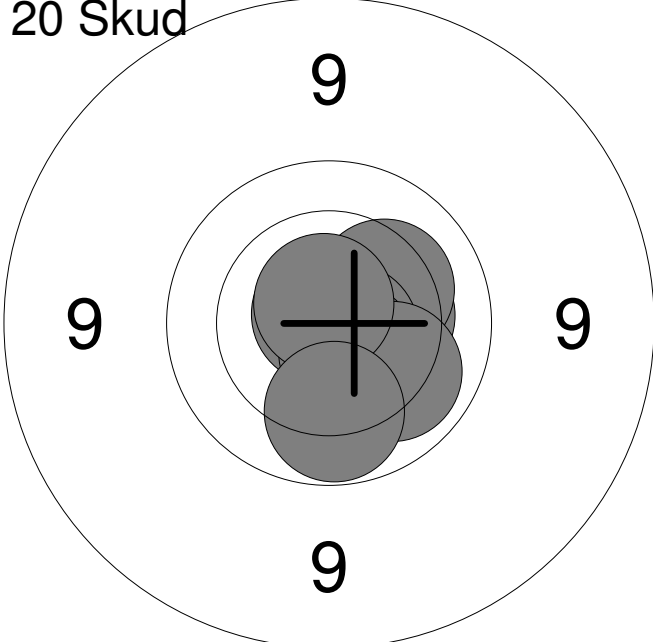


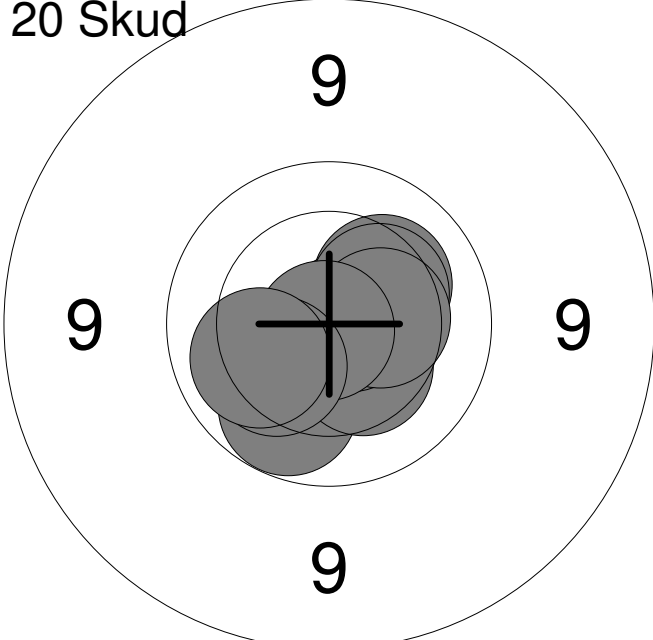
1:	10.5x	↘
2:	10.0	↘
3:	10.4	→
4:	10.1	↗
5:	10.7x	↗
6:	10.2	↗
7:	10.3	↗
8:	10.4	↘
9:	10.2	↗
10:	9.9	↗
<b>Serie</b>		<b>99.0</b>
<b>Total</b>		<b>99.0</b>

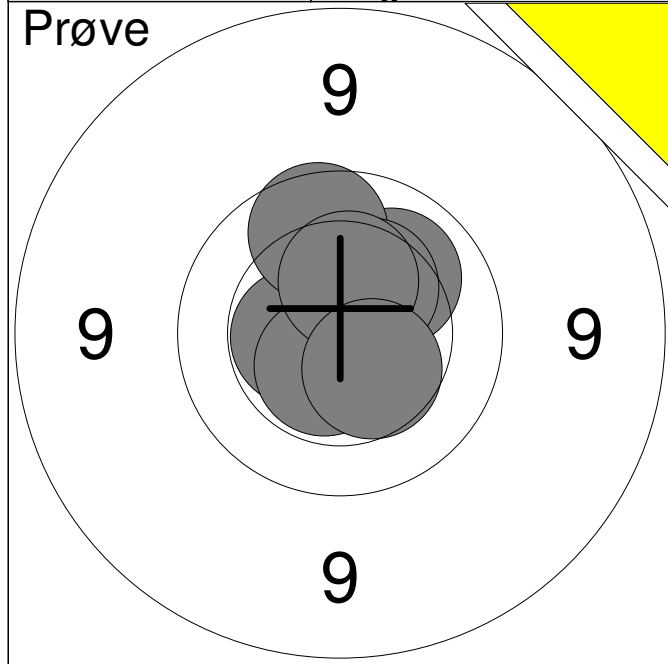


11:	10.9x	↗
12:	10.6x	↘
13:	9.9	↑
14:	9.3	←
15:	10.7x	↑
16:	10.9x	←
17:	10.8x	↗
18:	10.3	←
19:	10.2	↑
20:	9.6	↗
<b>Serie</b>		<b>97.0</b>
<b>Total</b>		<b>196.0</b>

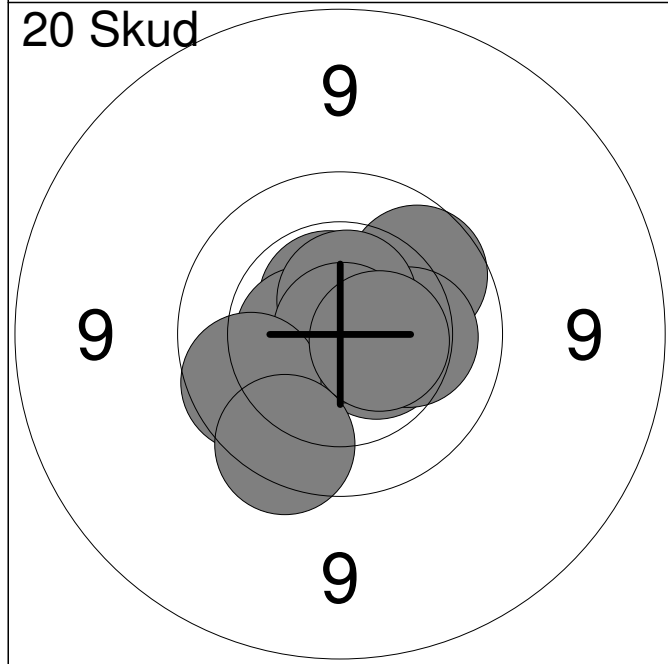
<b>Prøve</b> 	1: 9.2 ↖
	2: 10.6x ↓
	3: 9.8 ↑
	4: 10.8x ↓
	5: 10.0 ←
	6: 10.3 ←
	7: 10.6x ↑
<b>Serie</b>	<b>68.0</b>
<b>Total</b>	<b>0.0</b>

<b>20 Skud</b> 	1: 10.4 ↓
	2: 10.4 →
	3: 10.3 →
	4: 10.8x ↗
	5: 10.2 ↗
	6: 10.7x ↓
	7: 10.6x ↓
	8: 10.1 ↓
	9: 10.7x ↑
	10: 10.0 ↓
<b>Serie</b>	<b>100.0</b>
<b>Total</b>	<b>100.0</b>

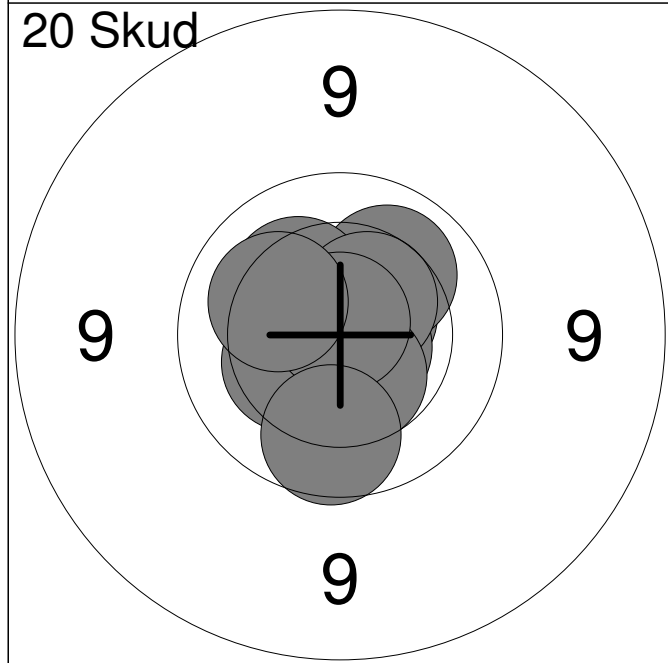
<b>20 Skud</b> 	11: 10.0 ↓
	12: 10.7x →
	13: 10.2 ↗
	14: 10.4 ↓
	15: 10.7x →
	16: 10.3 ↗
	17: 10.4 →
	18: 10.9x ↓
	19: 10.2 ↓
	20: 10.1 ←
<b>Serie</b>	<b>100.0</b>
<b>Total</b>	<b>200.0</b>



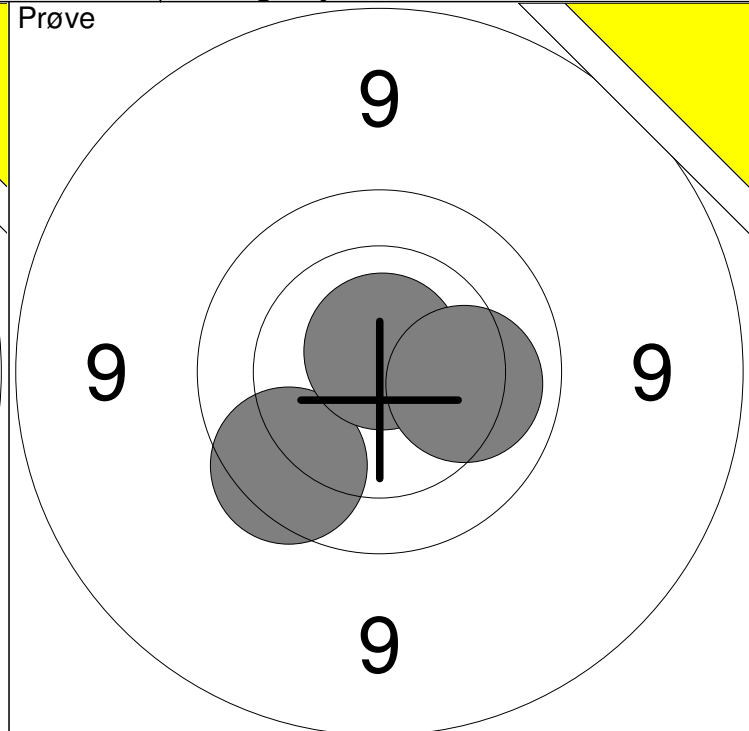
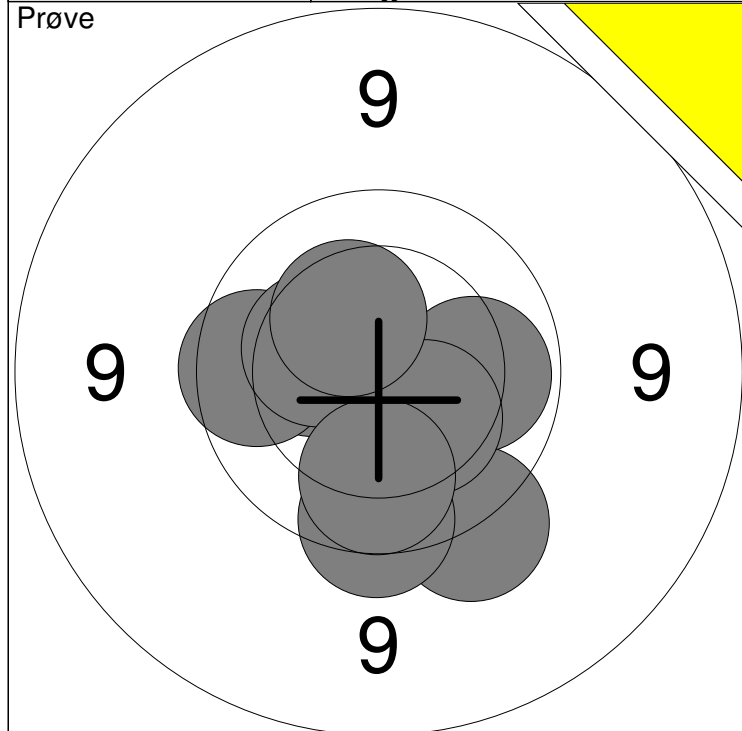
1:	10.5x	←
2:	10.1	↗
3:	10.6x	↘
4:	9.9	↑
5:	10.4	↗
6:	10.4	↑
7:	10.4	↘
<b>Serie</b>		<b>69.0</b>
<b>Total</b>		<b>0.0</b>



1:	10.5x	→
2:	10.6x	↑
3:	10.6x	←
4:	9.9	↗
5:	10.2	→
6:	10.6x	↑
7:	10.9x	↗
8:	9.9	←
9:	9.8	↘
10:	10.5x	→
<b>Serie</b>		<b>97.0</b>
<b>Total</b>		<b>97.0</b>

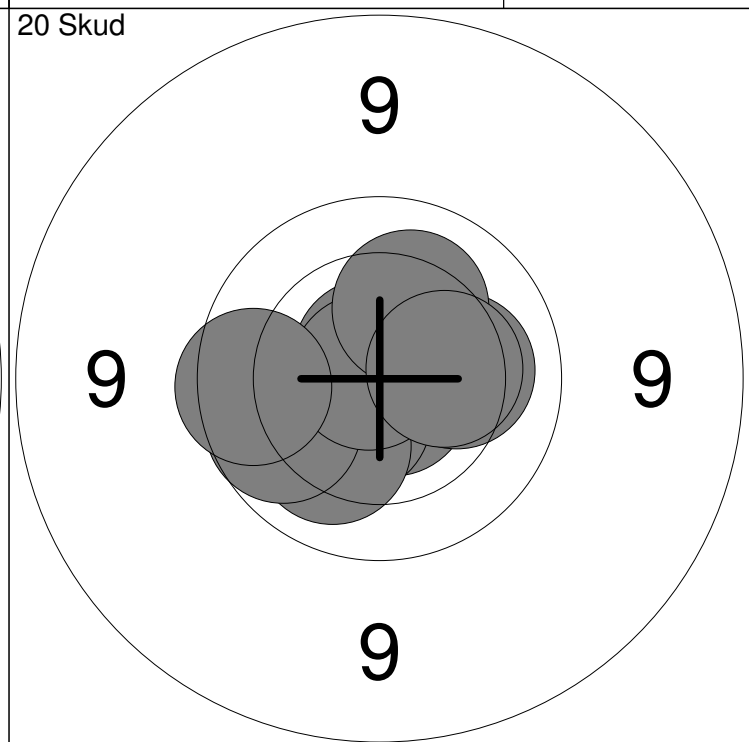
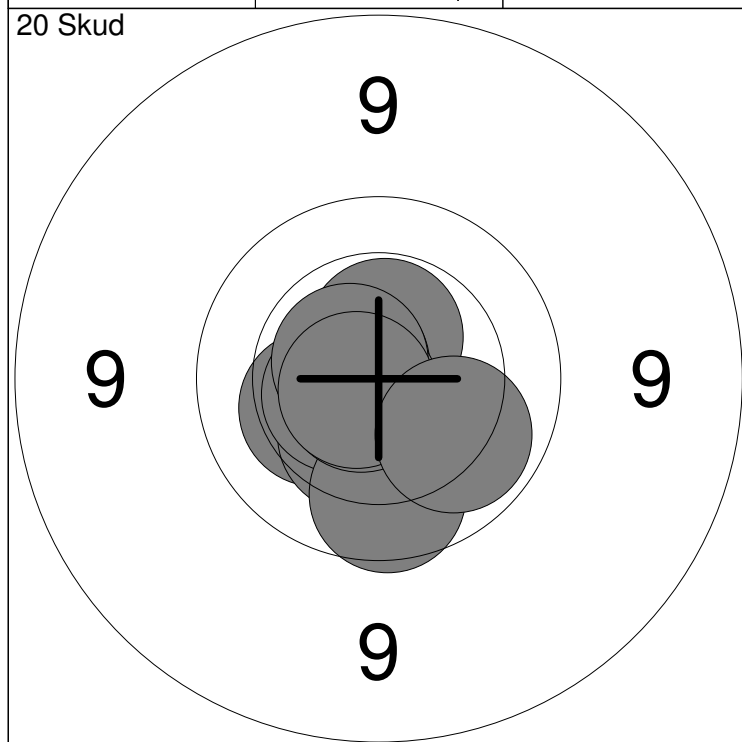


11:	10.6x	↗
12:	10.7x	↘
13:	10.1	↗
14:	10.3	↗
15:	10.5	↗
16:	10.5	↘
17:	10.3	←
18:	10.8x	↑
19:	9.9	↘
20:	10.2	↖
<b>Serie</b>		<b>99.0</b>
<b>Total</b>		<b>196.0</b>



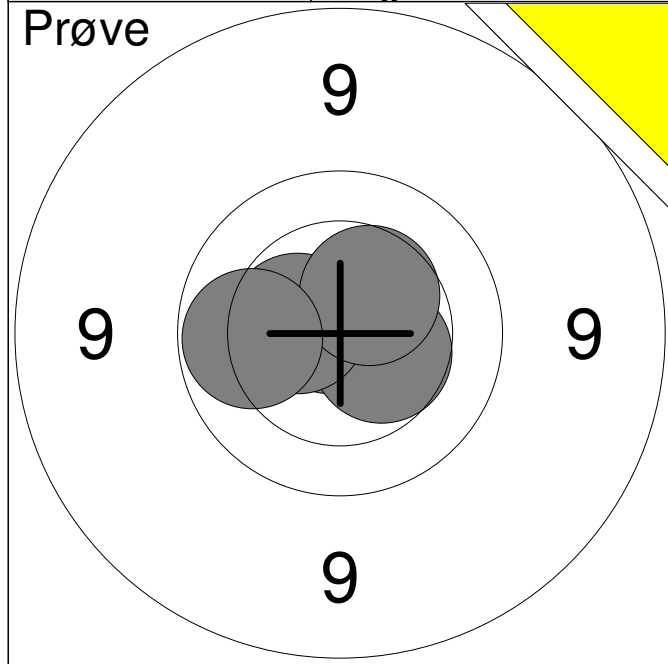
1: 9.5 ↘	6: 10.3 ↖	Serie	96
2: 10.3 ←	7: 10.3 ↘		
3: 10.5x ↘	8: 9.7 ↘	Total	0
4: 9.8 ←	9: 10.4 ↗		
5: 10.0 →	10: 9.9 ↘		

11: 9.8 ↙	Serie	29
12: 10.8x ↑		
13: 10.1 →	Total	0

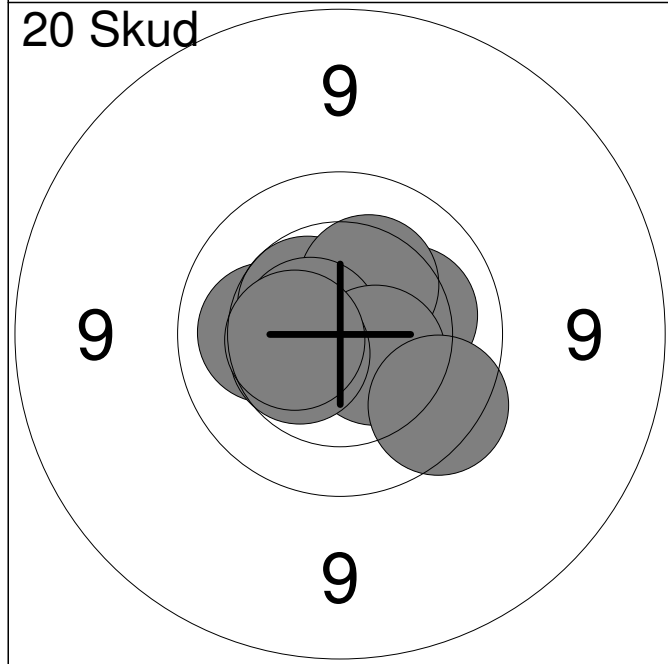


1: 10.3 ←	6: 10.7x ↖	Serie	99
2: 10.5x ↑	7: 10.7x ↘		
3: 10.4 ↘	8: 10.6x ↖	Total	99
4: 10.5x ←	9: 10.7x ←		
5: 9.9 ↘	10: 10.0 ↘		

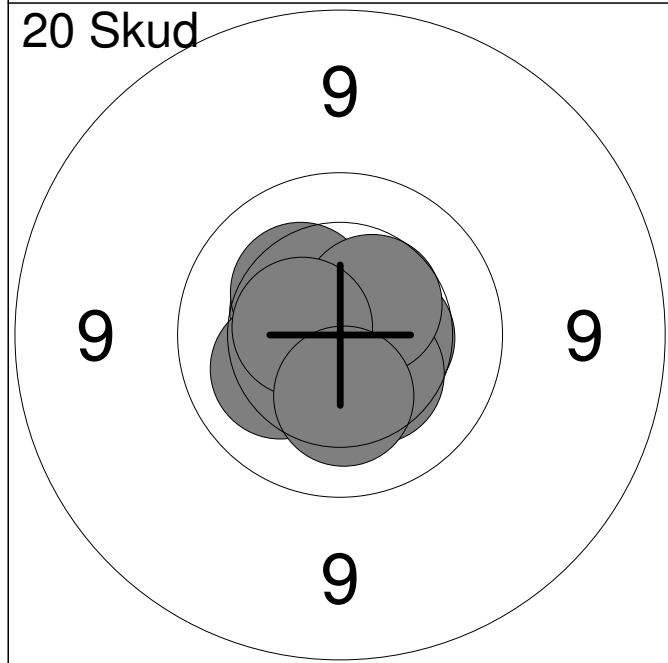
11: 10.7x ↘	16: 10.7x ↑	Serie	98
12: 10.5x ↘	17: 10.8x ↖		
13: 10.2 →	18: 9.8 ←	Total	197
14: 10.2 ↘	19: 10.2 ↑		
15: 9.9 ←	20: 10.3 →		



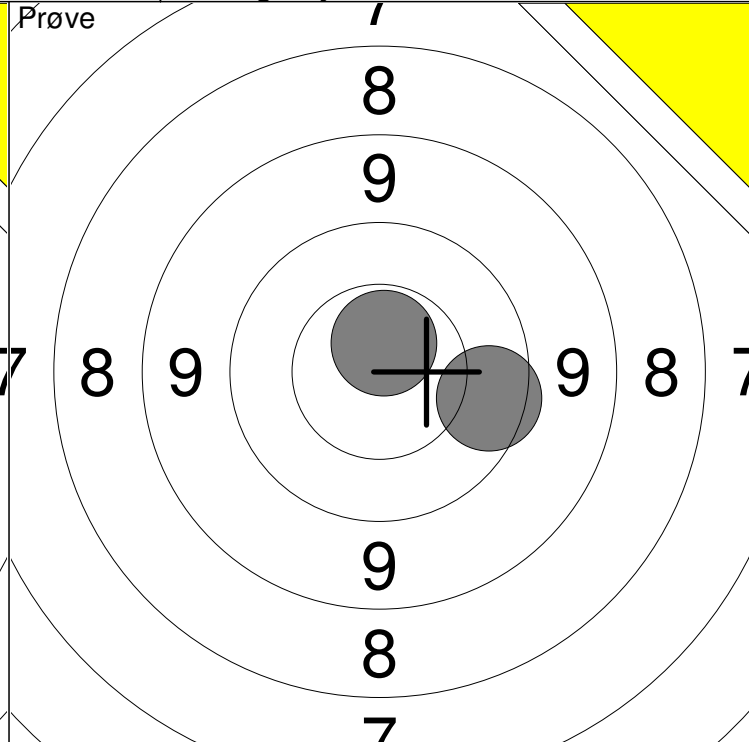
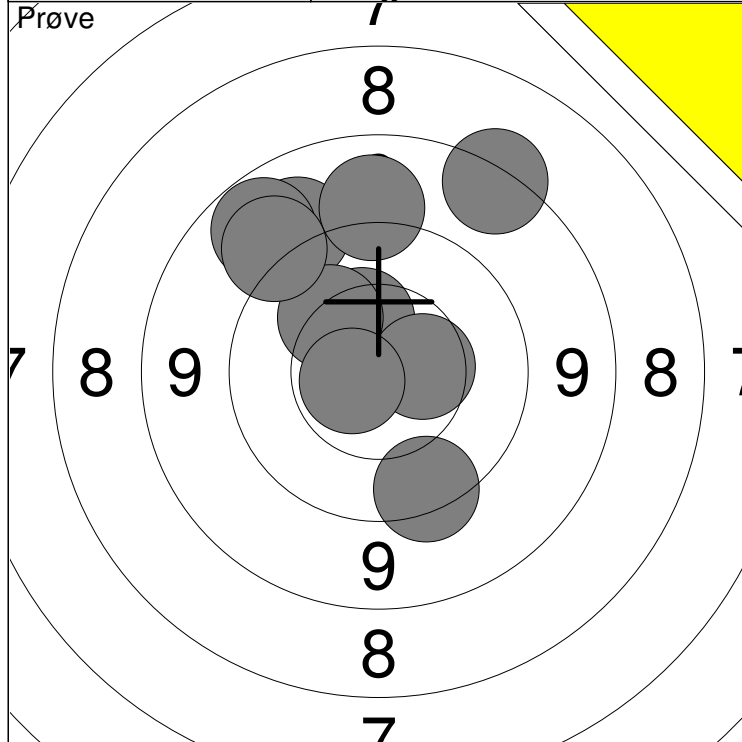
1:	10.8x	↗
2:	10.5	↘
3:	10.5	↖
4:	10.4	↗
5:	10.0	↖
Serie		50.0
Total		0.0



1:	10.2	→
2:	10.2	←
3:	10.7x	→
4:	10.5	↗
5:	10.3	↗
6:	10.6x	←
7:	10.5x	↘
8:	9.8	↘
9:	10.5	←
10:	10.5	←
Serie		99.0
Total		99.0

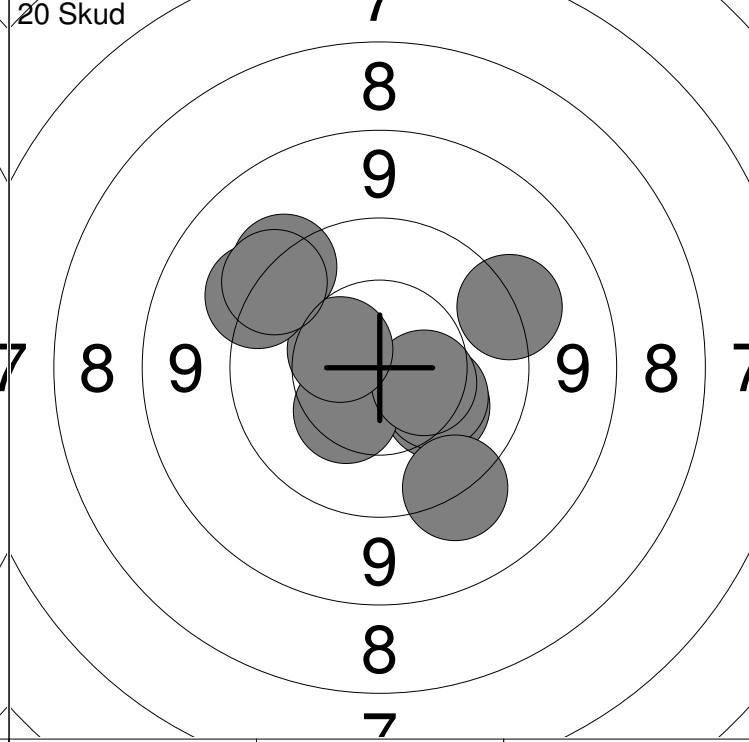
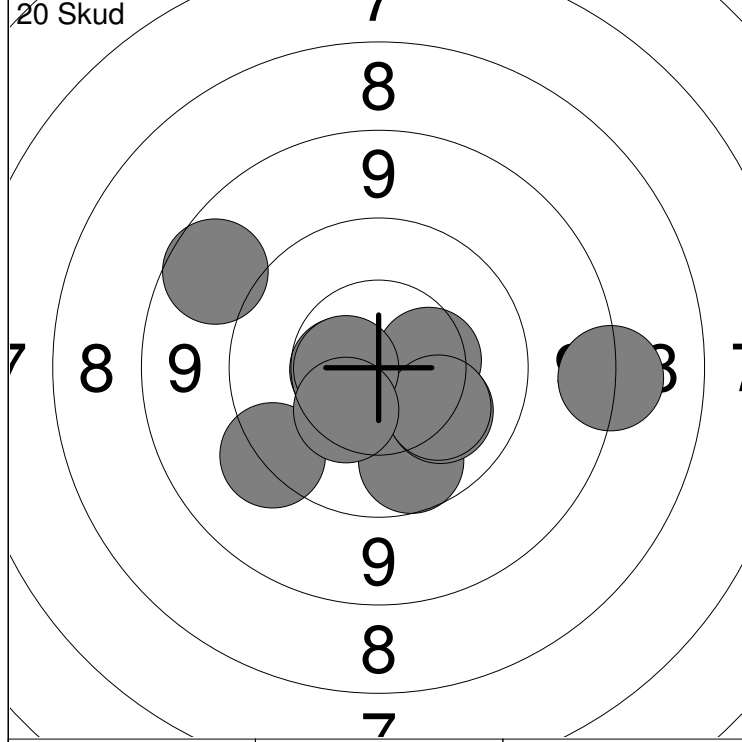


11:	10.5	→
12:	10.7x	↑
13:	10.5x	↗
14:	10.4	↗
15:	10.2	←
16:	10.4	↘
17:	10.3	↗
18:	10.5	↗
19:	10.5x	←
20:	10.3	↓
Serie		100.0
Total		199.0



1: 8.5 ↗	6: 10.5 →	Serie	93
2: 9.2 ↗	7: 10.7x ←		
3: 10.4 ↗	8: 9.2 ↑	Total	0
4: 10.2 ↗	9: 9.2 ↗		
5: 9.0 ↗	10: 9.6 ↓		

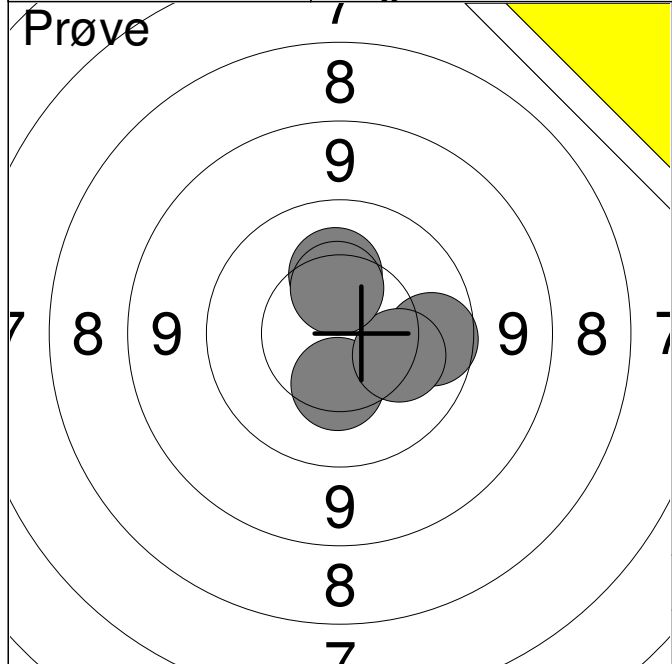
11: 9.8 →	Serie	19
12: 10.6x ↑		
Total		0



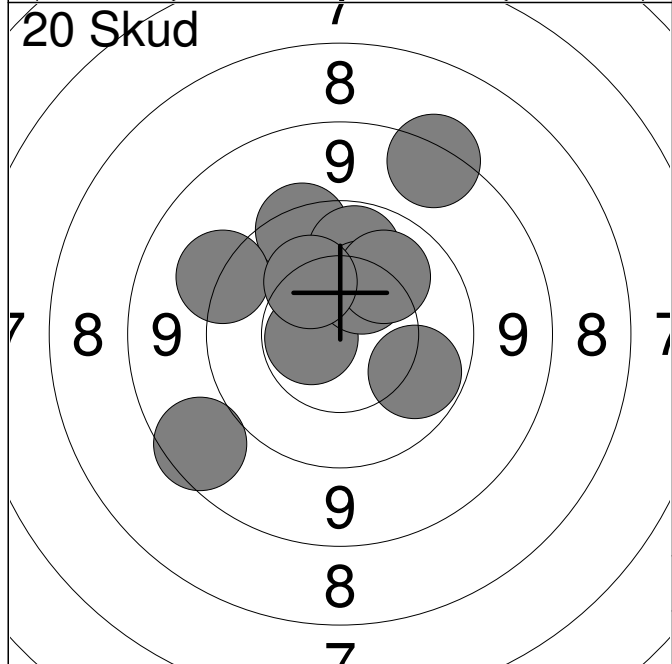
1: 8.9 ↗	6: 10.2 ↓	Serie	94
2: 9.9 ↓	7: 10.2 ↓		
3: 10.6 ←	8: 10.6x ←	Total	94
4: 8.4 →	9: 9.5 ←		
5: 10.4 →	10: 10.4 ↓		

11: 9.5 ↗	16: 9.4 ↓	Serie	95
12: 10.2 ↓	17: 10.5 ↗		
13: 10.3 ↓	18: 9.4 ↗	Total	189
14: 10.4 ↓	19: 9.5 ↗		
15: 10.5 →	20: 9.4 ↗		

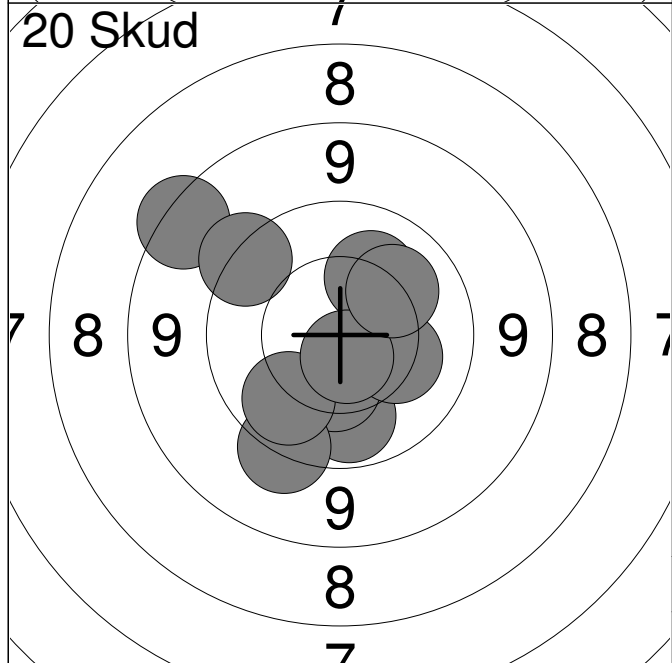




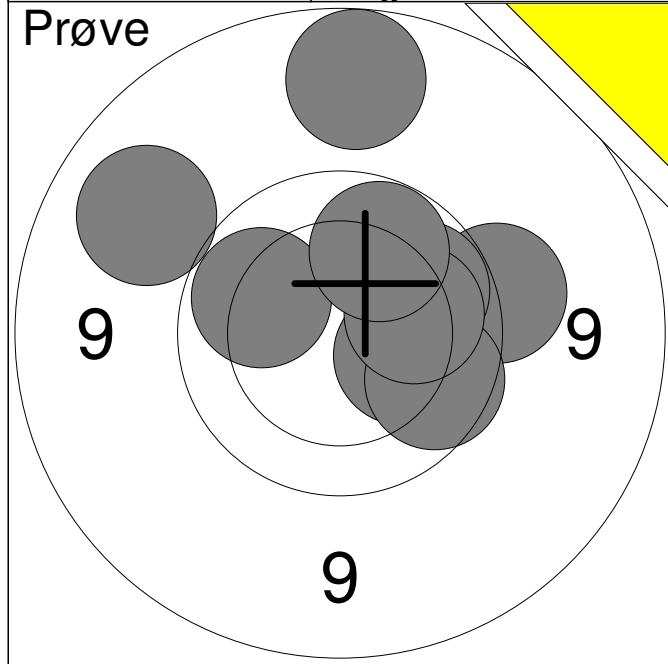
1:	10.4	↓
2:	9.9	→
3:	10.3	↑
4:	10.2	→
5:	10.4	↑
<b>Serie</b>		<b>49.0</b>
<b>Total</b>		<b>0.0</b>



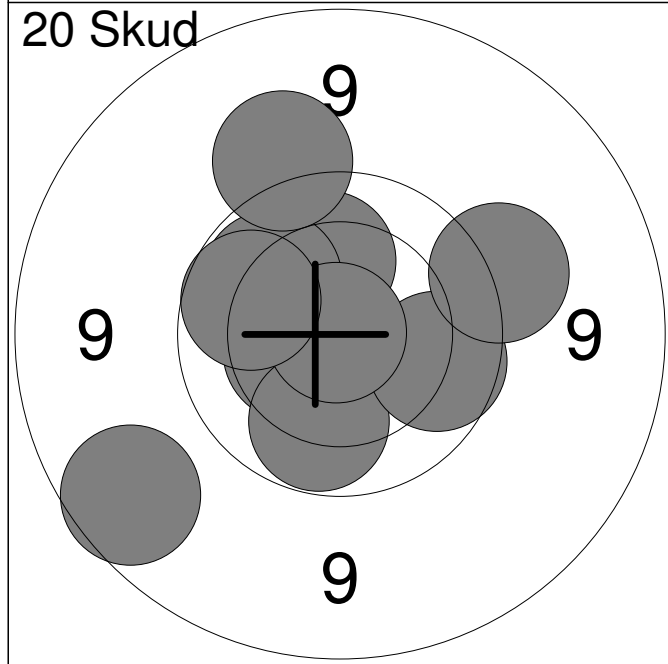
1:	9.6	↑
2:	10.6x	←
3:	9.4	↖
4:	8.5	↗
5:	10.0	↑
6:	10.4	↗
7:	10.1	↗
8:	10.0	→
9:	10.3	↑
10:	8.8	↙
<b>Serie</b>		<b>94.0</b>
<b>Total</b>		<b>94.0</b>



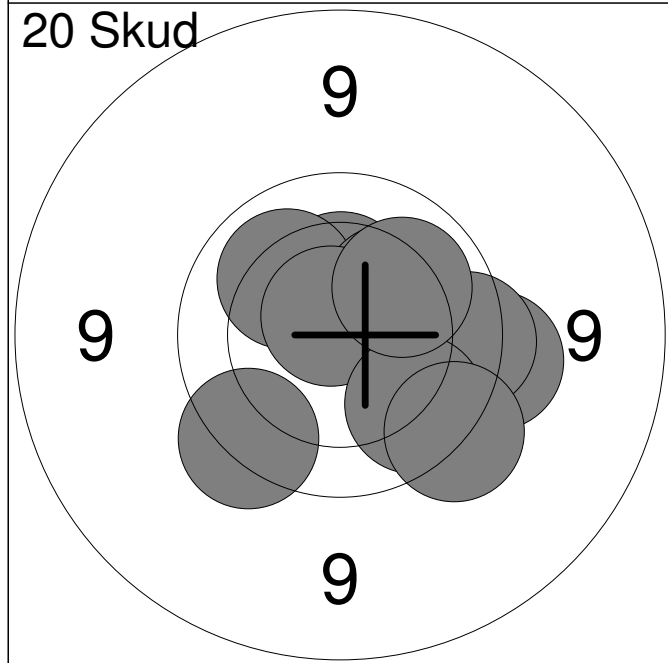
11:	10.0	↓
12:	10.4	↓
13:	8.6	↗
14:	10.2	↗
15:	9.5	↗
16:	9.5	↙
17:	10.0	↙
18:	10.3	→
19:	10.7x	↓
20:	10.2	↗
<b>Serie</b>		<b>96.0</b>
<b>Total</b>		<b>190.0</b>



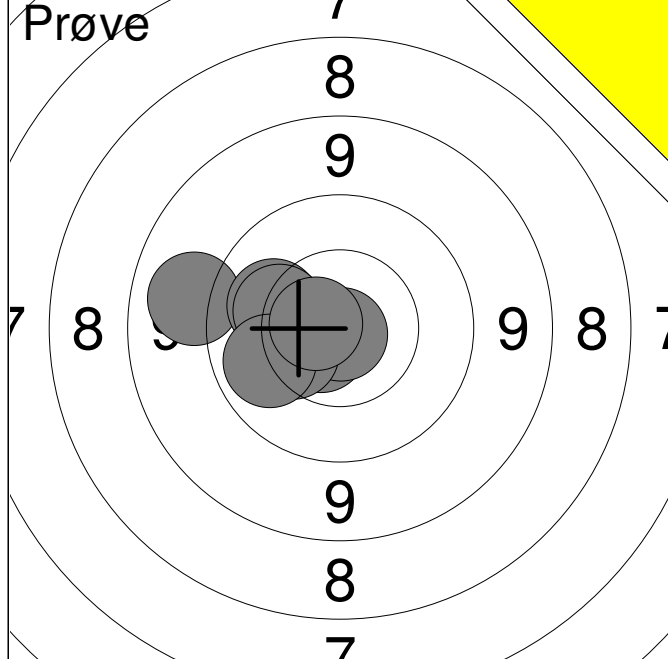
1:	10.2	→
2:	9.5	→
3:	9.9	→
4:	9.0	↑
5:	10.0	←
6:	10.0	→
7:	10.1	→
8:	9.1	↖
9:	10.0	↗
<b>Serie</b>		<b>86.0</b>
<b>Total</b>		<b>0.0</b>



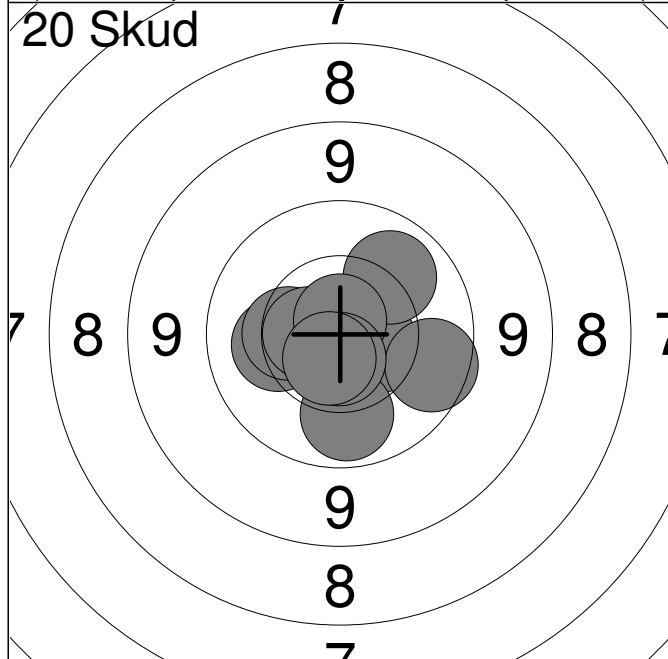
1:	10.1	↑
2:	10.0	↖
3:	10.4	←
4:	8.9	↙
5:	10.0	↓
6:	9.9	→
7:	9.5	→
8:	10.9x	←
9:	9.4	↑
10:	9.9	↖
<b>Serie</b>		<b>94.0</b>
<b>Total</b>		<b>94.0</b>



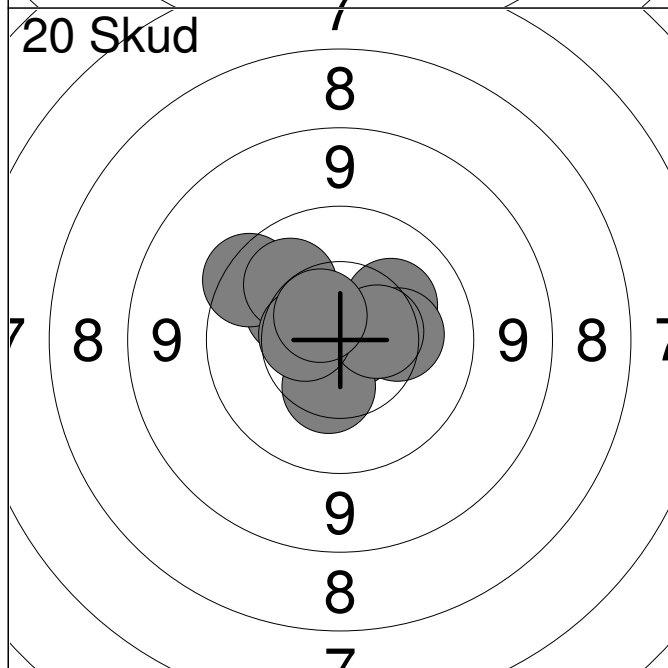
11:	10.4	↑
12:	10.1	↖
13:	9.6	→
14:	10.3	↗
15:	10.7x	↗
16:	9.7	→
17:	9.9	↙
18:	9.7	↙
19:	10.1	↗
20:	9.6	↘
<b>Serie</b>		<b>95.0</b>
<b>Total</b>		<b>189.0</b>



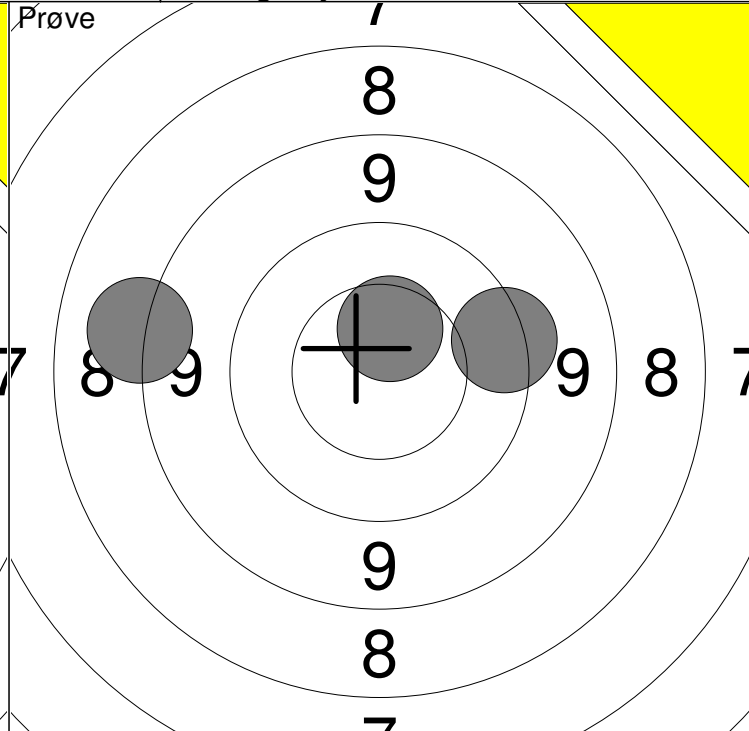
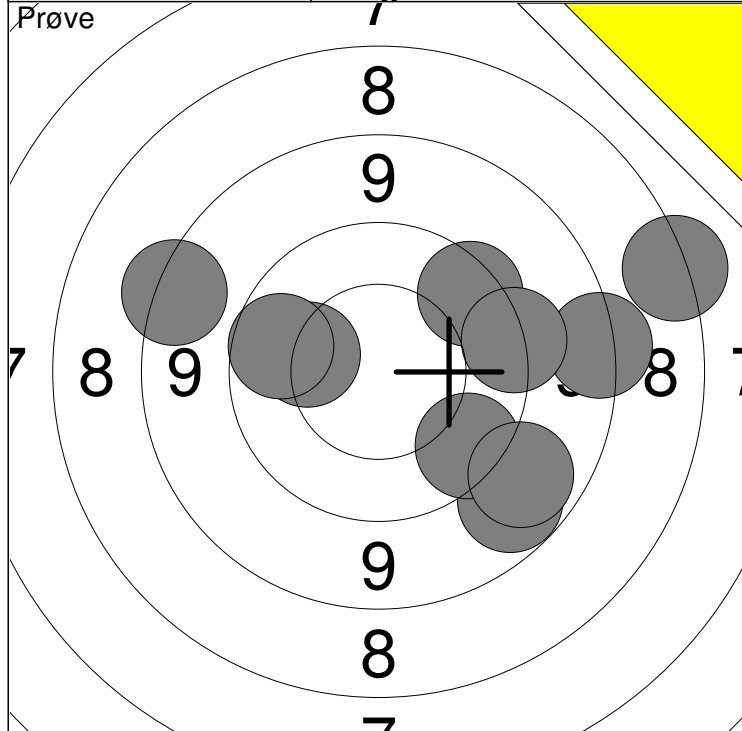
1:	9.2	←
2:	10.7x	↙
3:	10.9x	↓
4:	10.3	↙
5:	10.1	↙
6:	10.2	↙
7:	10.1	↙
8:	10.7x	←
<b>Serie</b>		<b>79.0</b>
<b>Total</b>		<b>0.0</b>



1:	10.2	←
2:	10.4	←
3:	10.5	→
4:	10.0	↓
5:	9.8	→
6:	10.6x	←
7:	10.1	↗
8:	10.8x	↑
9:	10.7x	↓
10:	10.6x	↙
<b>Serie</b>		<b>99.0</b>
<b>Total</b>		<b>99.0</b>

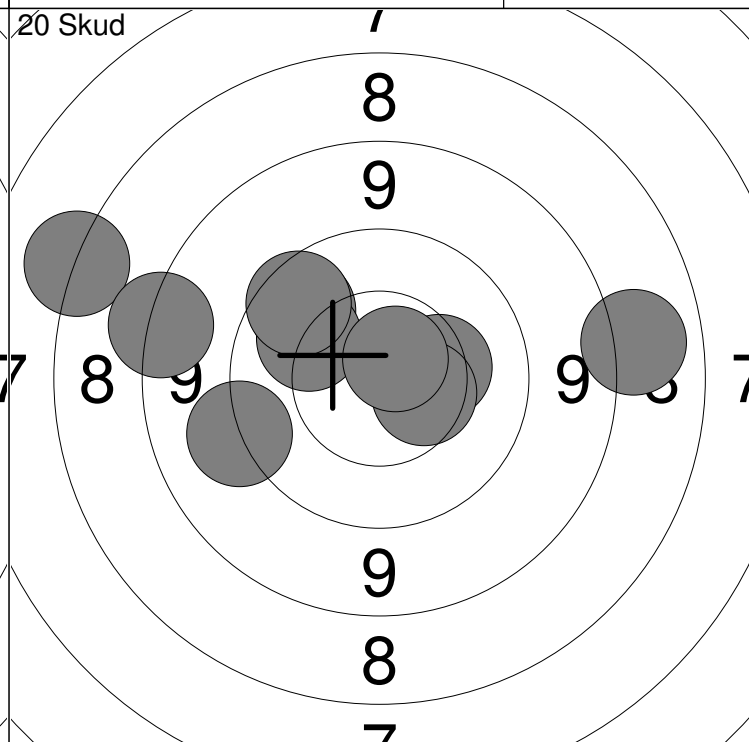
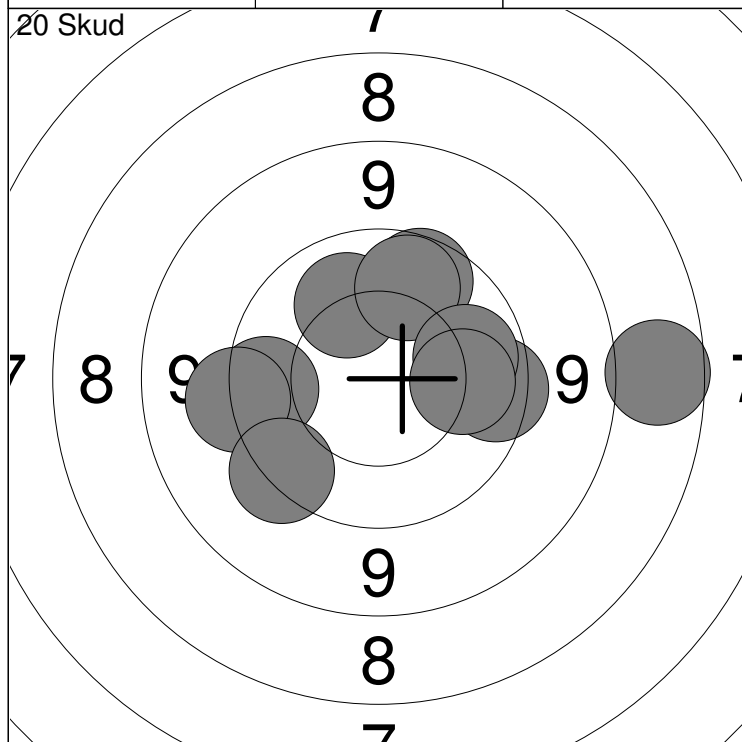


11:	10.3	↗
12:	9.7	↗
13:	10.8x	→
14:	10.2	↗
15:	10.1	↗
16:	10.4	↓
17:	10.3	→
18:	10.5	→
19:	10.5	←
20:	10.6x	↗
<b>Serie</b>		<b>99.0</b>
<b>Total</b>		<b>198.0</b>



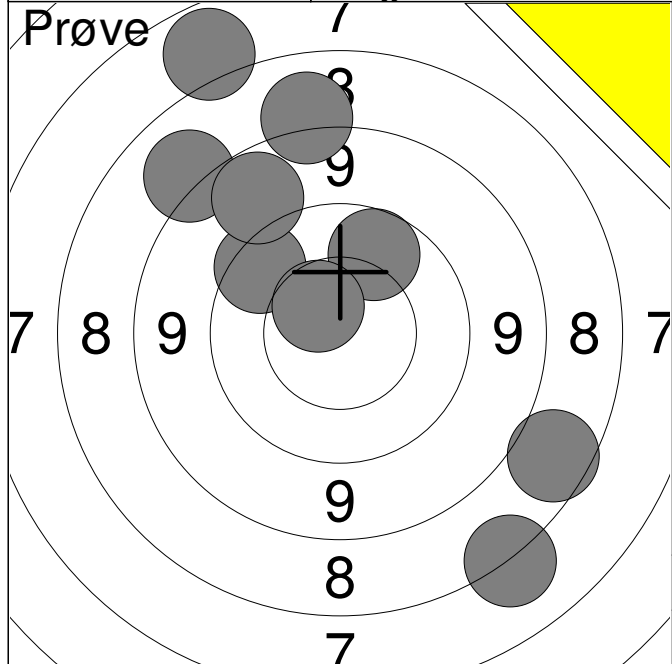
1: 9.0 ↘	6: 9.1 ↘	Serie	87
2: 10.2 ←	7: 9.9 ←		
3: 8.5 →	8: 7.5 →	Total	0
4: 9.7 ↗	9: 8.6 ←		
5: 9.7 ↘	10: 9.5 →		

11: 8.3 ←	Serie	27
12: 9.6 →		
13: 10.5 ↑	Total	0



1: 10.1 ↗	6: 9.4 ←	Serie	92
2: 9.8 ←	7: 10.0 →		
3: 9.7 →	8: 7.9 →	Total	92
4: 9.8 ↗	9: 9.5 ↘		
5: 10.0 ↗	10: 10.1 →		

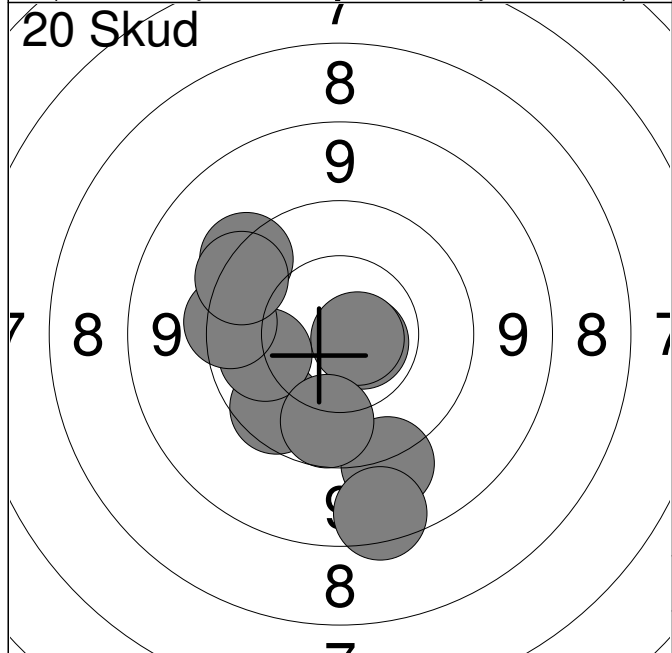
11: 7.4 ←	Serie	90
12: 10.3 →		
13: 9.9 ↗	Total	182
14: 9.3 ←		
15: 10.5 →		



1:	7.8	↘
2:	7.3	↘
3:	7.0	↗
4:	9.9	↗
5:	8.2	↗
6:	9.7	↗
7:	8.2	↗
8:	9.0	↗
9:	10.5	↗

Serie	74.0
-------	------

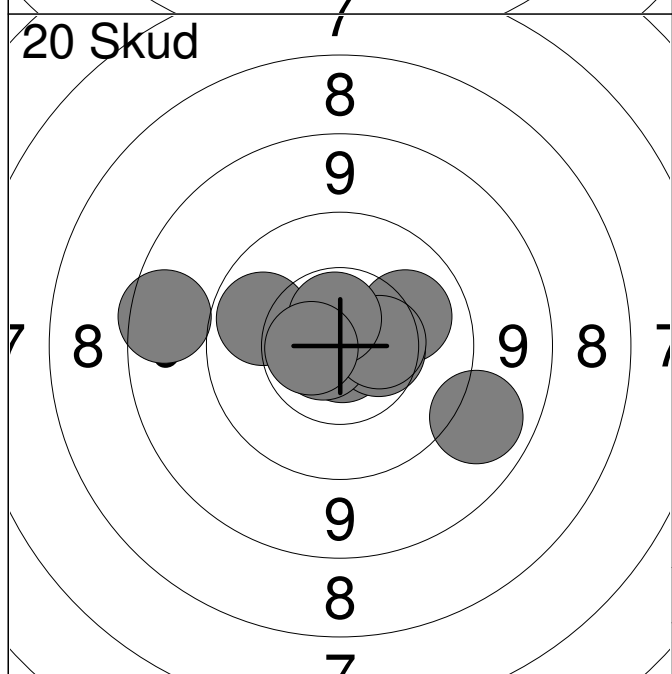
Total	0.0
-------	-----



1:	10.7x	↘
2:	9.3	↘
3:	10.7x	↘
4:	9.8	↘
5:	9.5	↗
6:	10.0	←
7:	9.7	←
8:	9.9	↘
9:	9.6	↗
10:	8.7	↘

Serie	92.0
-------	------

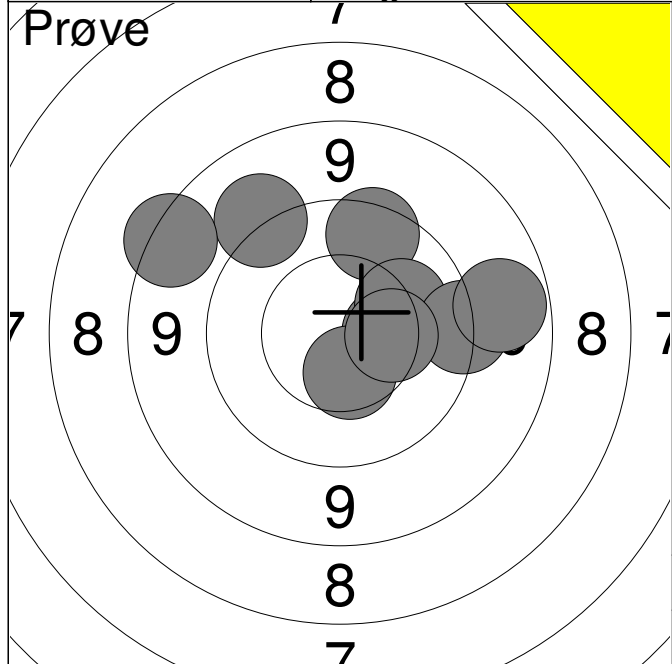
Total	92.0
-------	------



11:	8.8	←
12:	10.0	↖
13:	10.1	↗
14:	10.8x	↘
15:	10.5	↗
16:	10.7x	←
17:	9.1	↘
18:	10.5	↗
19:	10.6x	↗
20:	10.6x	←

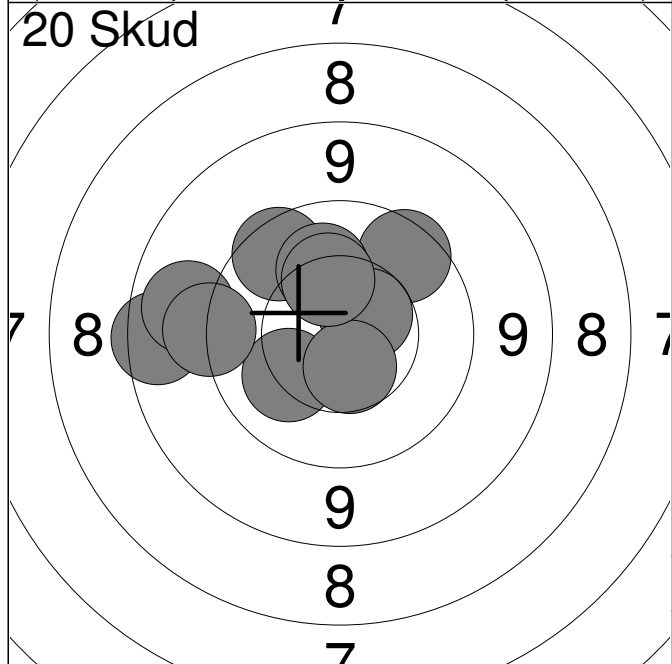
Serie	97.0
-------	------

Total	189.0
-------	-------



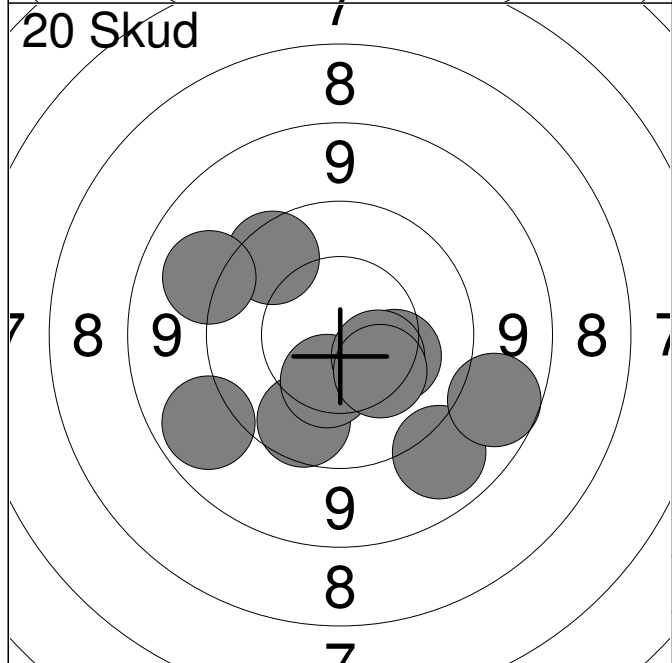
1:	9.7	↗
2:	9.3	↗
3:	10.4	→
4:	10.2	↗
5:	8.6	↗
6:	9.5	→
7:	9.0	→
8:	10.5	↓
9:	10.4	→

Serie	<b>84.0</b>
Total	<b>0.0</b>



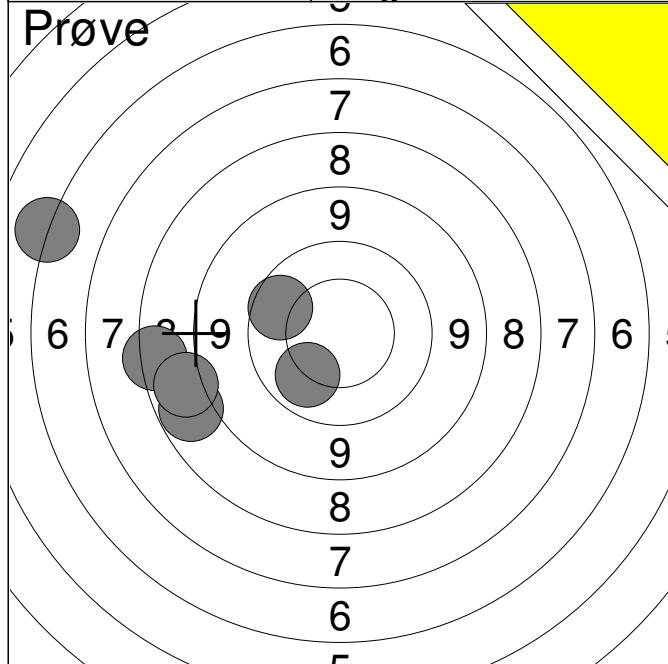
1:	9.8	↗
2:	9.8	↗
3:	8.7	←
4:	10.2	↗
5:	10.6	↗
6:	10.2	↖
7:	9.1	←
8:	10.6	↓
9:	10.3	↗
10:	9.4	←

Serie	<b>94.0</b>
Total	<b>94.0</b>

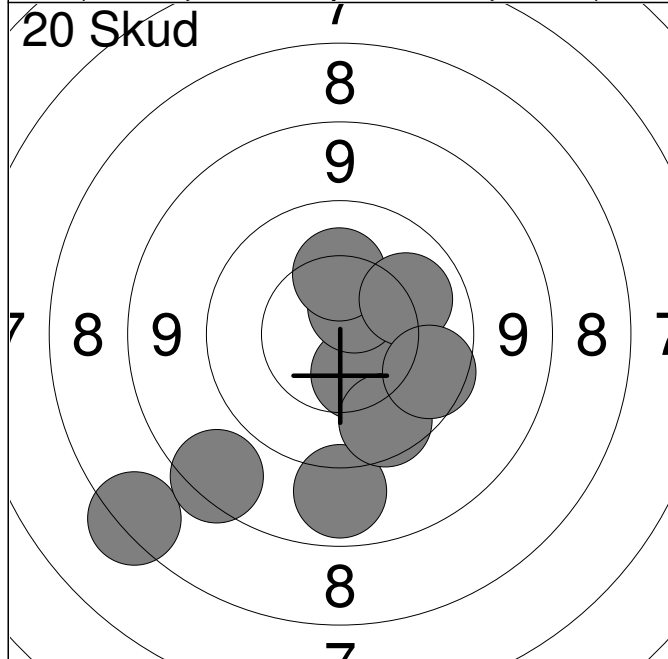


11:	9.1	↓
12:	9.8	↗
13:	9.0	↖
14:	9.2	↗
15:	9.9	↖
16:	10.4	↖
17:	10.3	↘
18:	8.9	↘
19:	10.4	↘
20:	10.3	↘

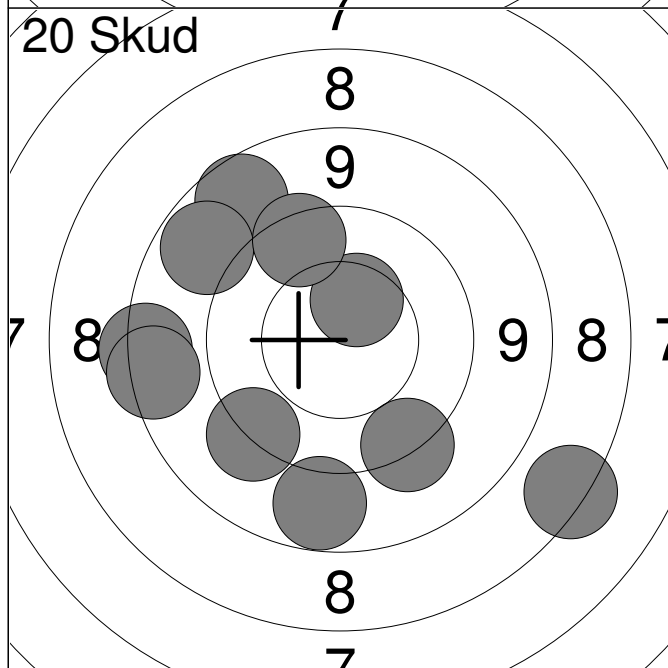
Serie	<b>93.0</b>
Total	<b>187.0</b>



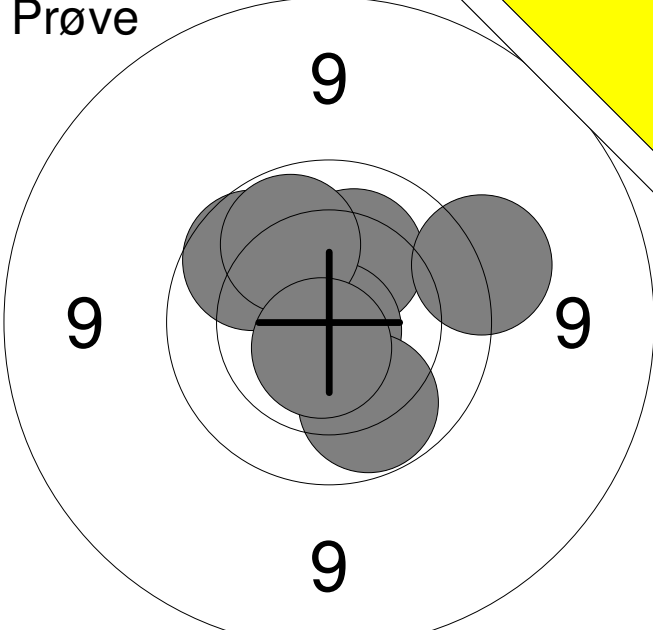
1:	7.6	←
2:	9.8	↖
3:	8.0	←
4:	8.1	←
5:	5.3	↖
6:	10.1	↘
<b>Serie</b>		<b>47.0</b>
<b>Total</b>		<b>0.0</b>

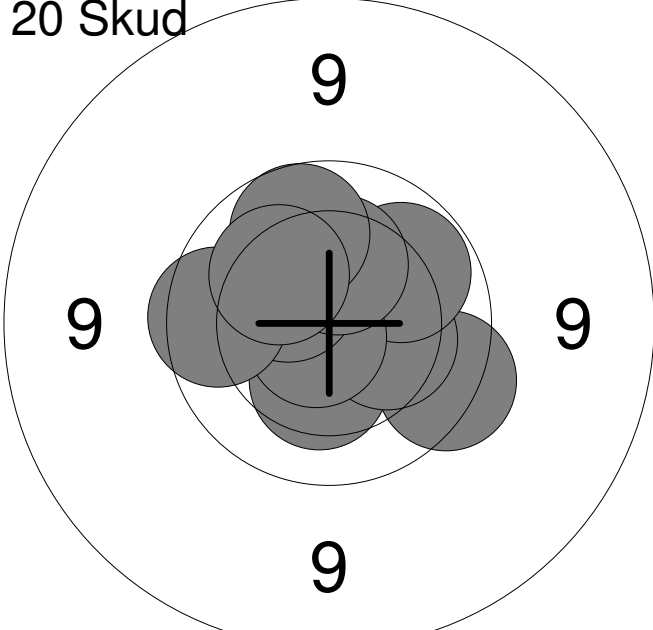


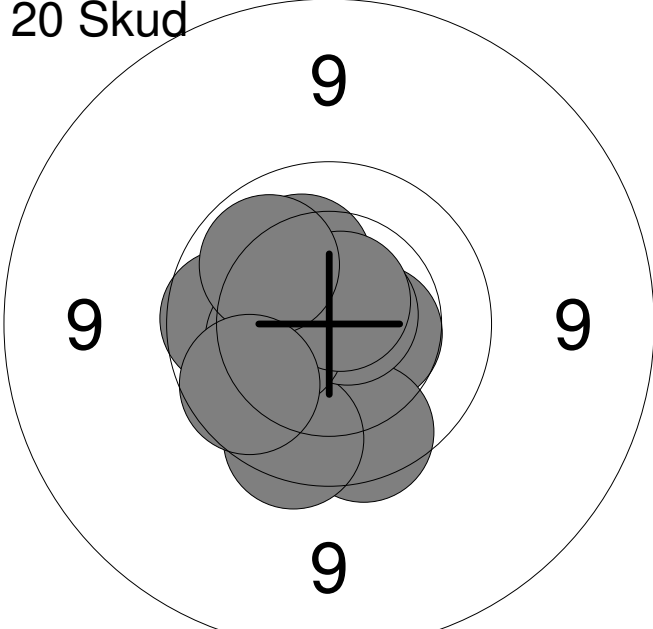
1:	9.1	↓
2:	7.5	↖
3:	10.5	↘
4:	10.5	↓
5:	10.6	↗
6:	10.3	↑
7:	8.7	↖
8:	9.8	↓
9:	10.1	↗
10:	9.8	→
<b>Serie</b>		<b>92.0</b>
<b>Total</b>		<b>92.0</b>



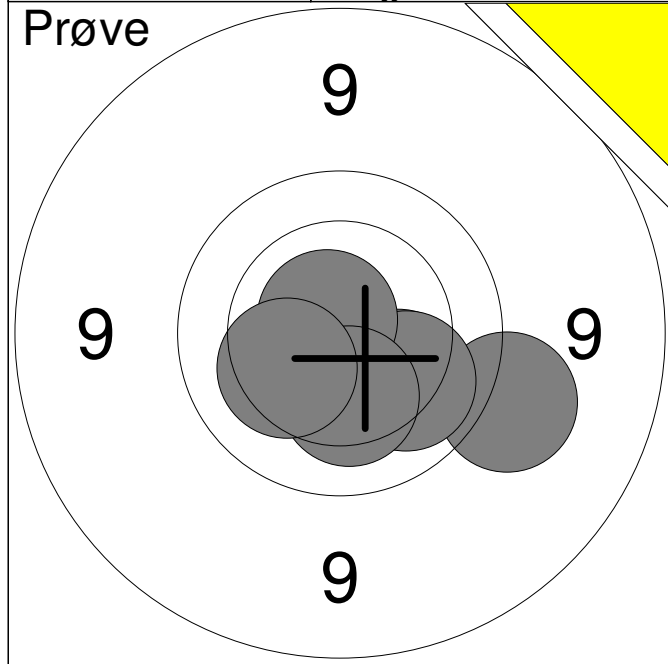
11:	8.9	↗
12:	10.5	↗
13:	9.0	↓
14:	9.0	↗
15:	7.5	↘
16:	8.6	←
17:	9.7	↗
18:	9.5	↓
19:	8.6	←
20:	9.4	↖
<b>Serie</b>		<b>86.0</b>
<b>Total</b>		<b>178.0</b>

<p><b>Prøve</b></p> 	<table style="width:100%; border-collapse: collapse;"> <tr><td style="width:10%;">1:</td><td style="width:40%;">9.9</td><td style="width:50%; text-align: right;">↗</td></tr> <tr><td>2:</td><td>10.2</td><td style="text-align: right;">↗</td></tr> <tr><td>3:</td><td>10.9x</td><td style="text-align: right;">↘</td></tr> <tr><td>4:</td><td>9.5</td><td style="text-align: right;">↗</td></tr> <tr><td>5:</td><td>10.0</td><td style="text-align: right;">↗</td></tr> <tr><td>6:</td><td>10.0</td><td style="text-align: right;">↘</td></tr> <tr><td>7:</td><td>10.7x</td><td style="text-align: right;">↘</td></tr> <tr><td colspan="2"><b>Serie</b></td><td style="text-align: right;"><b>68.0</b></td></tr> <tr><td colspan="2"><b>Total</b></td><td style="text-align: right;"><b>0.0</b></td></tr> </table>	1:	9.9	↗	2:	10.2	↗	3:	10.9x	↘	4:	9.5	↗	5:	10.0	↗	6:	10.0	↘	7:	10.7x	↘	<b>Serie</b>		<b>68.0</b>	<b>Total</b>		<b>0.0</b>
1:	9.9	↗																										
2:	10.2	↗																										
3:	10.9x	↘																										
4:	9.5	↗																										
5:	10.0	↗																										
6:	10.0	↘																										
7:	10.7x	↘																										
<b>Serie</b>		<b>68.0</b>																										
<b>Total</b>		<b>0.0</b>																										

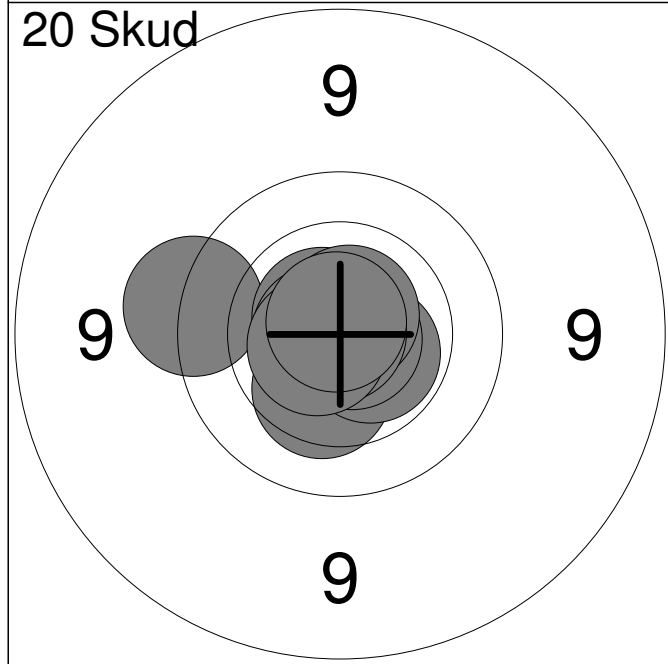
<p><b>20 Skud</b></p> 	<table style="width:100%; border-collapse: collapse;"> <tr><td style="width:10%;">1:</td><td style="width:40%;">9.7</td><td style="width:50%; text-align: right;">↘</td></tr> <tr><td>2:</td><td>10.3</td><td style="text-align: right;">↘</td></tr> <tr><td>3:</td><td>10.3</td><td style="text-align: right;">↗</td></tr> <tr><td>4:</td><td>10.0</td><td style="text-align: right;">↗</td></tr> <tr><td>5:</td><td>10.7x</td><td style="text-align: right;">↙</td></tr> <tr><td>6:</td><td>10.4</td><td style="text-align: right;">↗</td></tr> <tr><td>7:</td><td>10.3</td><td style="text-align: right;">↗</td></tr> <tr><td>8:</td><td>9.8</td><td style="text-align: right;">←</td></tr> <tr><td>9:</td><td>9.9</td><td style="text-align: right;">↗</td></tr> <tr><td>10:</td><td>10.2</td><td style="text-align: right;">↗</td></tr> <tr><td colspan="2"><b>Serie</b></td><td style="text-align: right;"><b>97.0</b></td></tr> <tr><td colspan="2"><b>Total</b></td><td style="text-align: right;"><b>97.0</b></td></tr> </table>	1:	9.7	↘	2:	10.3	↘	3:	10.3	↗	4:	10.0	↗	5:	10.7x	↙	6:	10.4	↗	7:	10.3	↗	8:	9.8	←	9:	9.9	↗	10:	10.2	↗	<b>Serie</b>		<b>97.0</b>	<b>Total</b>		<b>97.0</b>
1:	9.7	↘																																			
2:	10.3	↘																																			
3:	10.3	↗																																			
4:	10.0	↗																																			
5:	10.7x	↙																																			
6:	10.4	↗																																			
7:	10.3	↗																																			
8:	9.8	←																																			
9:	9.9	↗																																			
10:	10.2	↗																																			
<b>Serie</b>		<b>97.0</b>																																			
<b>Total</b>		<b>97.0</b>																																			

<p><b>20 Skud</b></p> 	<table style="width:100%; border-collapse: collapse;"> <tr><td style="width:10%;">11:</td><td style="width:40%;">10.5</td><td style="width:50%; text-align: right;">↘</td></tr> <tr><td>12:</td><td>10.2</td><td style="text-align: right;">↗</td></tr> <tr><td>13:</td><td>9.9</td><td style="text-align: right;">←</td></tr> <tr><td>14:</td><td>9.8</td><td style="text-align: right;">↘</td></tr> <tr><td>15:</td><td>9.8</td><td style="text-align: right;">↘</td></tr> <tr><td>16:</td><td>10.7x</td><td style="text-align: right;">↗</td></tr> <tr><td>17:</td><td>10.4</td><td style="text-align: right;">←</td></tr> <tr><td>18:</td><td>10.7x</td><td style="text-align: right;">↗</td></tr> <tr><td>19:</td><td>10.0</td><td style="text-align: right;">↗</td></tr> <tr><td>20:</td><td>9.9</td><td style="text-align: right;">↙</td></tr> <tr><td colspan="2"><b>Serie</b></td><td style="text-align: right;"><b>96.0</b></td></tr> <tr><td colspan="2"><b>Total</b></td><td style="text-align: right;"><b>193.0</b></td></tr> </table>	11:	10.5	↘	12:	10.2	↗	13:	9.9	←	14:	9.8	↘	15:	9.8	↘	16:	10.7x	↗	17:	10.4	←	18:	10.7x	↗	19:	10.0	↗	20:	9.9	↙	<b>Serie</b>		<b>96.0</b>	<b>Total</b>		<b>193.0</b>
11:	10.5	↘																																			
12:	10.2	↗																																			
13:	9.9	←																																			
14:	9.8	↘																																			
15:	9.8	↘																																			
16:	10.7x	↗																																			
17:	10.4	←																																			
18:	10.7x	↗																																			
19:	10.0	↗																																			
20:	9.9	↙																																			
<b>Serie</b>		<b>96.0</b>																																			
<b>Total</b>		<b>193.0</b>																																			

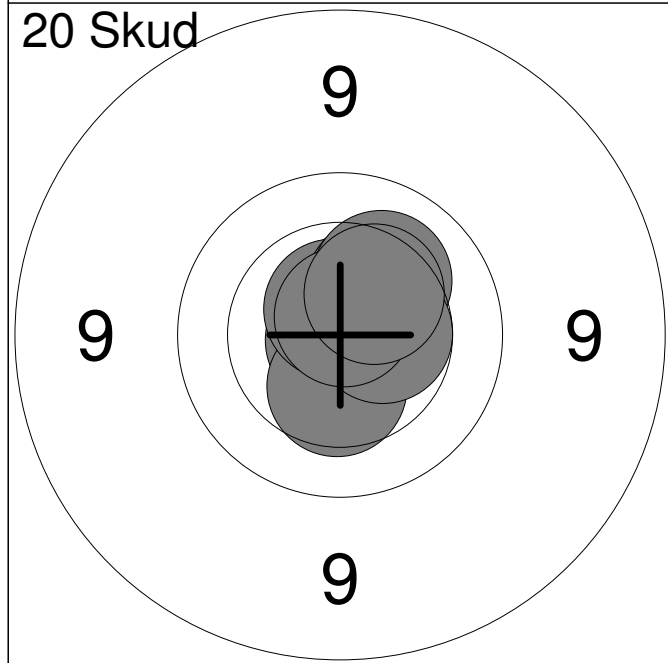




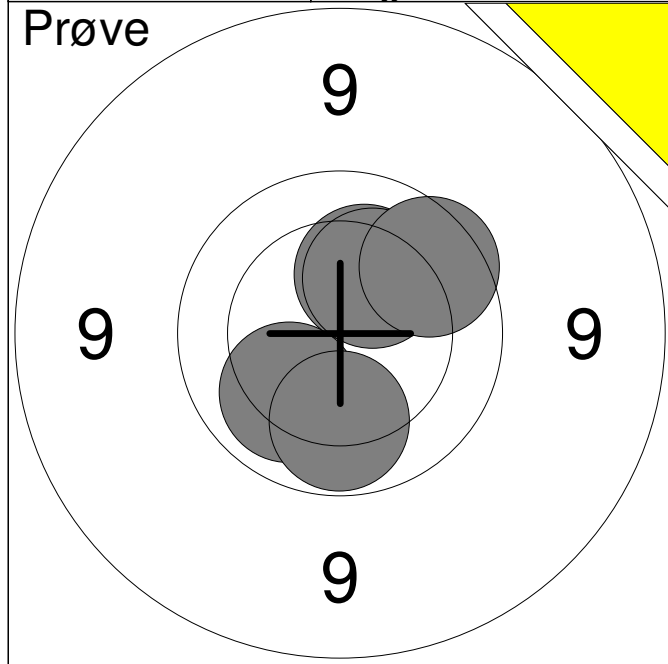
1:	9.4	↘
2:	10.1	↓
3:	10.1	↘
4:	10.7x	↗
5:	10.3	↓
6:	10.3	↙
<b>Serie</b>		<b>59.0</b>
<b>Total</b>		<b>0.0</b>



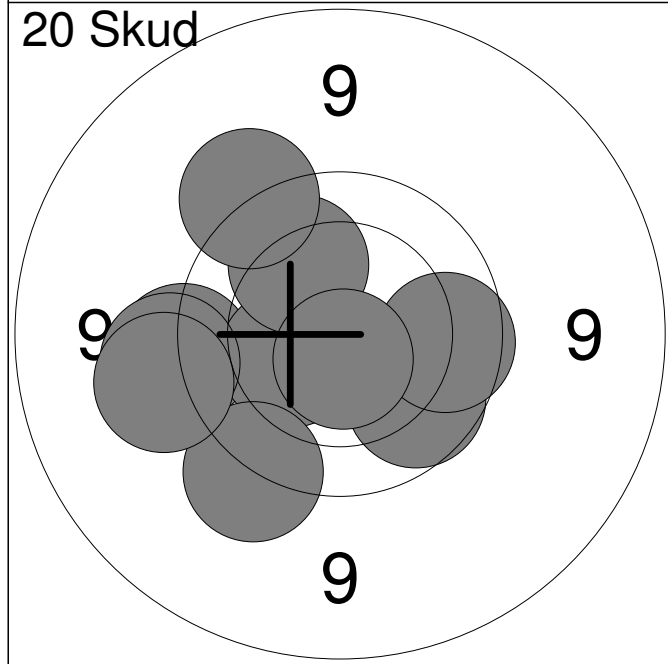
1:	9.6	←
2:	10.3	↓
3:	10.6x	↘
4:	10.8x	↘
5:	10.7x	↗
6:	10.7x	↗
7:	10.9x	↗
8:	10.7x	←
9:	10.7x	↙
10:	10.8x	↑
<b>Serie</b>		<b>99.0</b>
<b>Total</b>		<b>99.0</b>



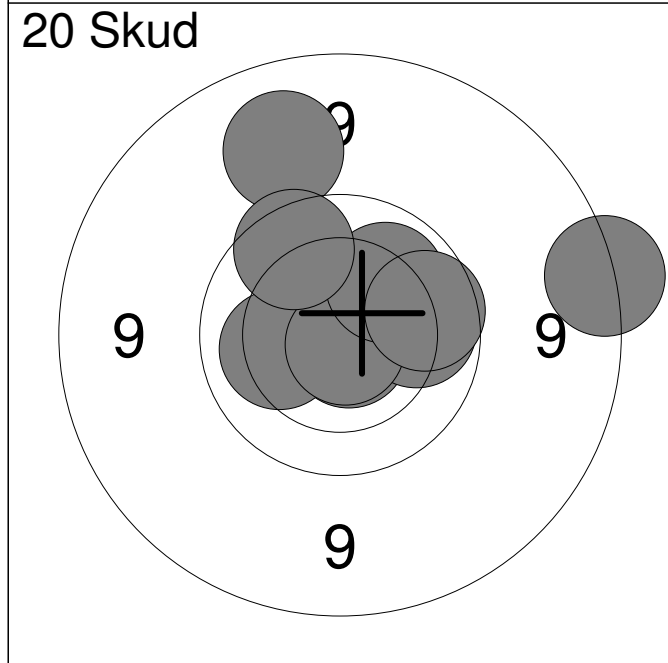
11:	10.9x	↙
12:	10.4	↓
13:	10.5x	↗
14:	10.5	↗
15:	10.7x	↑
16:	10.3	↗
17:	10.2	↗
18:	10.5x	→
19:	10.7x	↑
20:	10.4	↗
<b>Serie</b>		<b>100.0</b>
<b>Total</b>		<b>199.0</b>



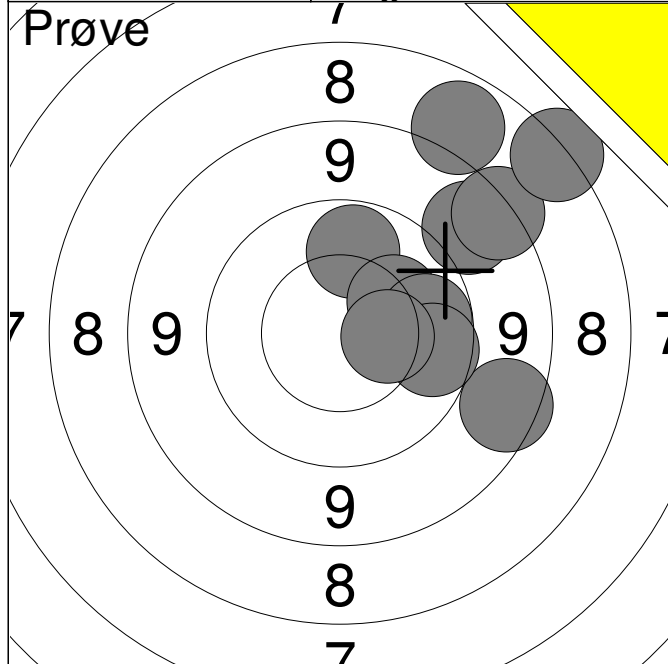
1:	10.1	↙
2:	10.3	↑
3:	10.3	↑
4:	10.0	↓
5:	9.8	↗
<b>Serie</b>		<b>49.0</b>
<b>Total</b>		<b>0.0</b>



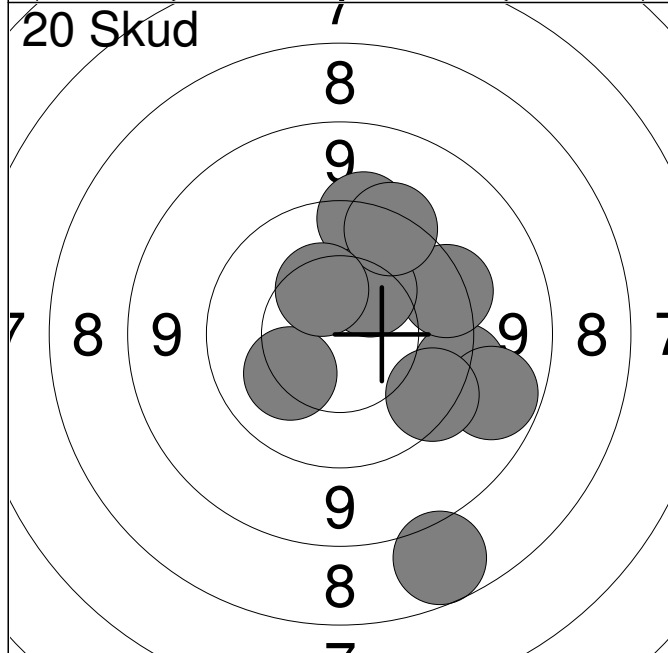
1:	9.5	←
2:	10.3	←
3:	9.9	↓
4:	9.9	→
5:	9.5	←
6:	10.1	↑
7:	10.7x	↓
8:	9.5	↓
9:	9.4	←
10:	9.5	↑
<b>Serie</b>		<b>93.0</b>
<b>Total</b>		<b>93.0</b>



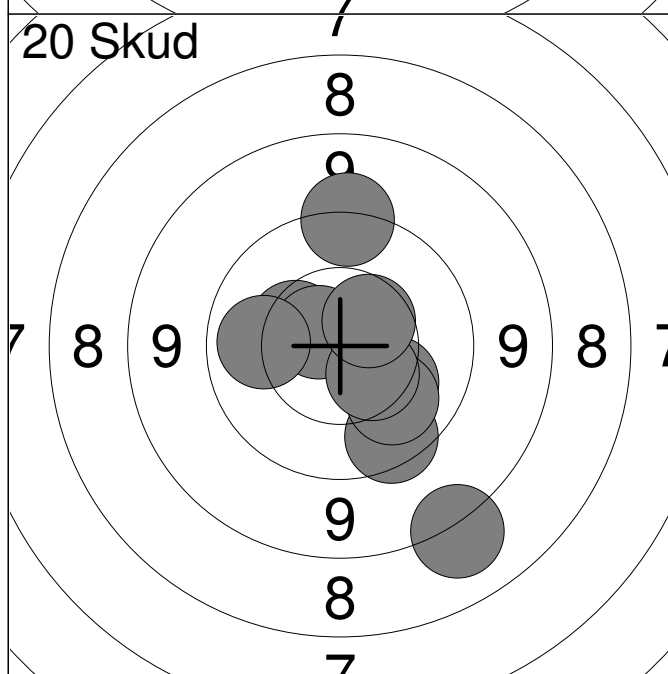
11:	8.7	→
12:	10.8x	↓
13:	10.5	↗
14:	9.2	↑
15:	10.0	→
16:	10.2	←
17:	10.8x	↓
18:	10.1	↑
19:	9.9	↗
20:	9.8	↑
<b>Serie</b>		<b>95.0</b>
<b>Total</b>		<b>188.0</b>



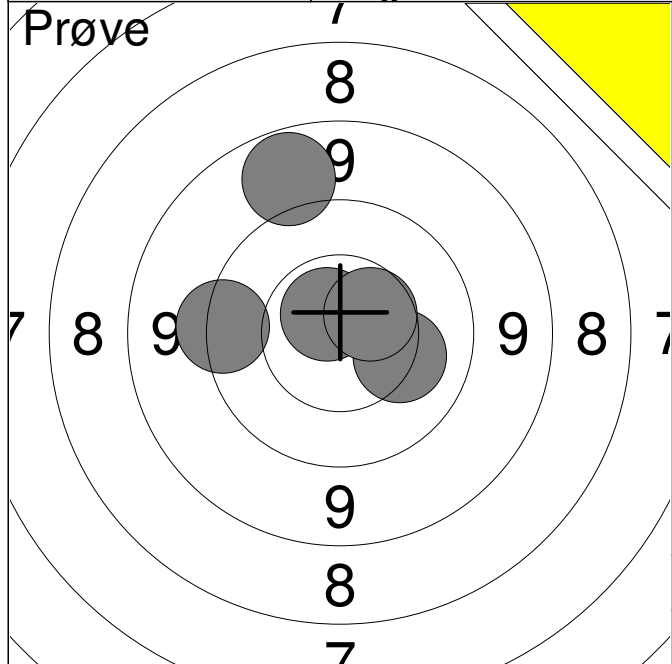
1:	8.9	↗
2:	8.7	→
3:	8.5	↗
4:	8.0	↗
5:	7.5	↗
6:	10.0	↑
7:	10.2	↗
8:	9.9	→
9:	9.9	→
10:	10.4	→
<b>Serie</b>		<b>87.0</b>
<b>Total</b>		<b>0.0</b>



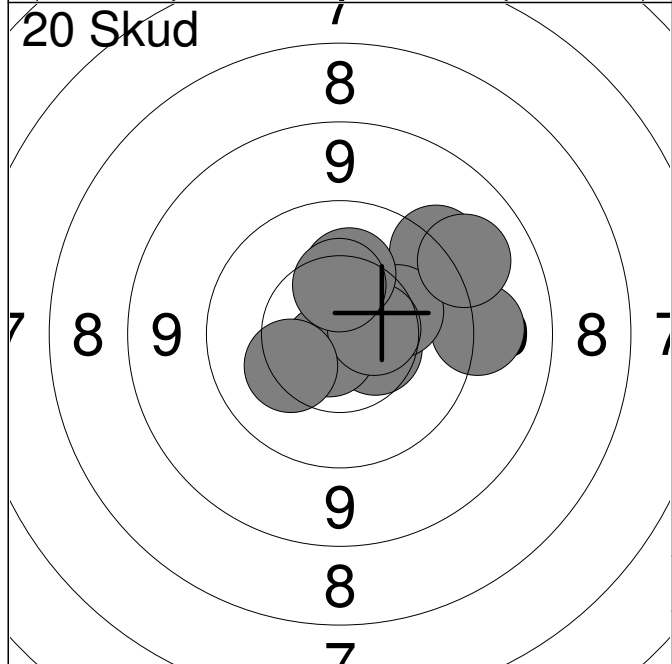
1:	9.5	→
2:	9.6	→
3:	9.5	↑
4:	9.0	→
5:	9.6	↘
6:	10.3	↗
7:	9.6	↗
8:	7.9	↘
9:	10.2	↙
10:	10.4	↗
<b>Serie</b>		<b>91.0</b>
<b>Total</b>		<b>91.0</b>



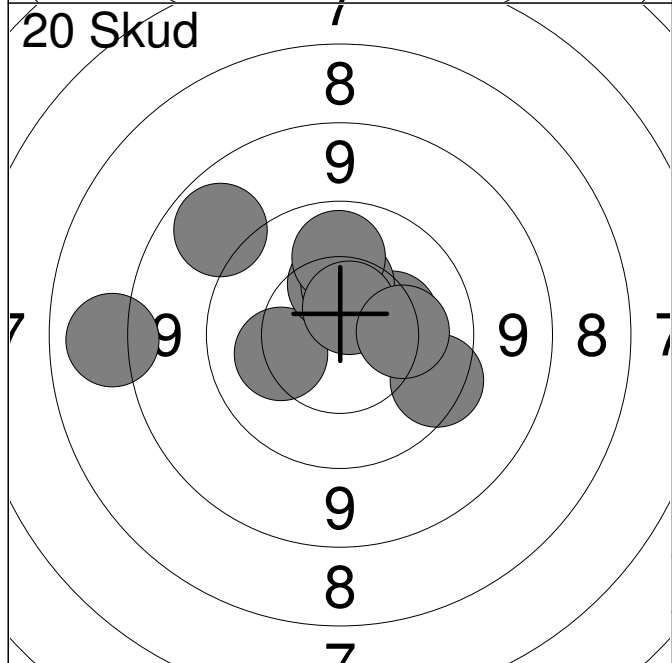
11:	9.4	↑
12:	9.7	↘
13:	10.4	↗
14:	10.2	↘
15:	10.1	↘
16:	10.7x	↗
17:	10.1	←
18:	8.3	↘
19:	10.4	↘
20:	10.5	↗
<b>Serie</b>		<b>96.0</b>
<b>Total</b>		<b>187.0</b>



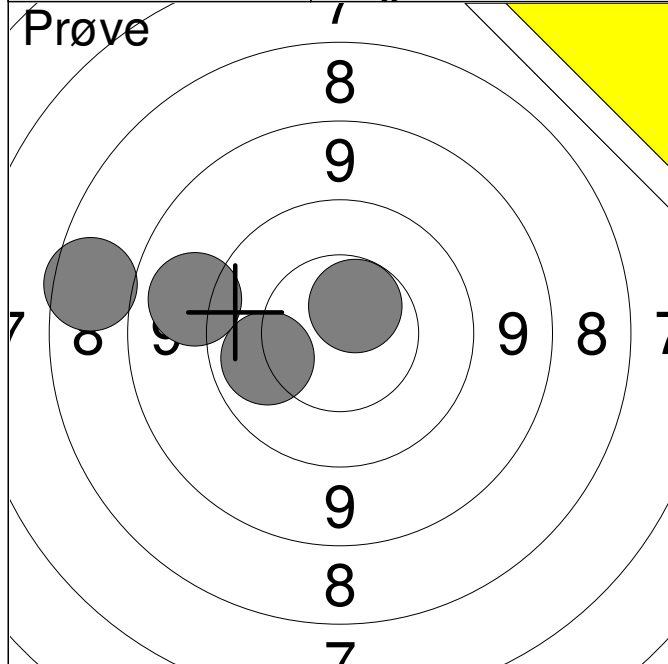
1:	9.6	←
2:	10.2	→
3:	10.7x	↗
4:	9.0	↑
5:	10.5	↘
<b>Serie</b>		<b>48.0</b>
<b>Total</b>		<b>0.0</b>



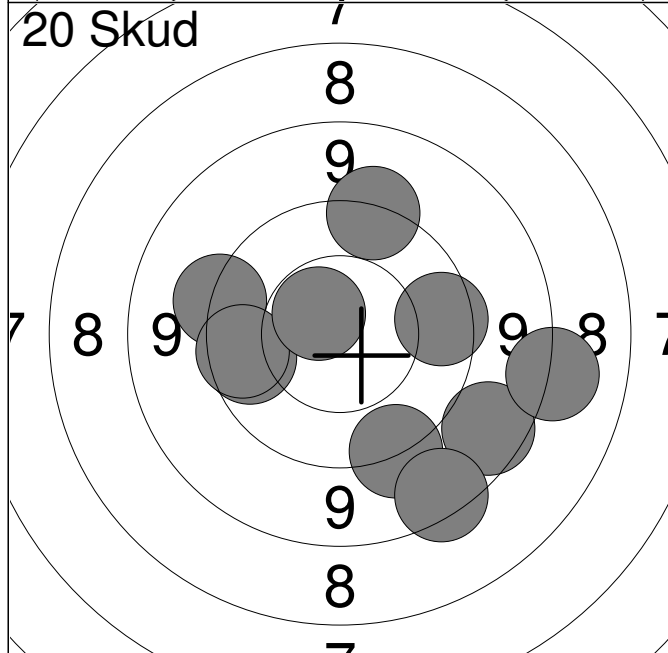
1:	10.5	→
2:	10.7x	↙
3:	9.4	↗
4:	9.3	→
5:	10.2	↘
6:	10.6	→
7:	10.3	↙
8:	10.2	↑
9:	9.2	↗
10:	10.4	↑
<b>Serie</b>		<b>97.0</b>
<b>Total</b>		<b>97.0</b>



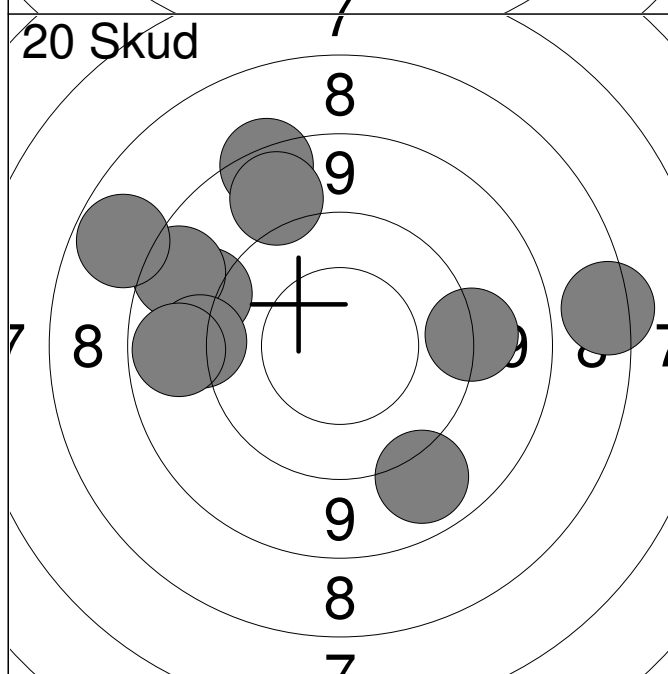
11:	10.3	→
12:	9.7	→
13:	10.2	←
14:	10.4	↑
15:	9.0	↙
16:	10.4	↑
17:	10.1	↑
18:	8.2	←
19:	10.6x	↗
20:	10.2	→
<b>Serie</b>		<b>96.0</b>
<b>Total</b>		<b>193.0</b>



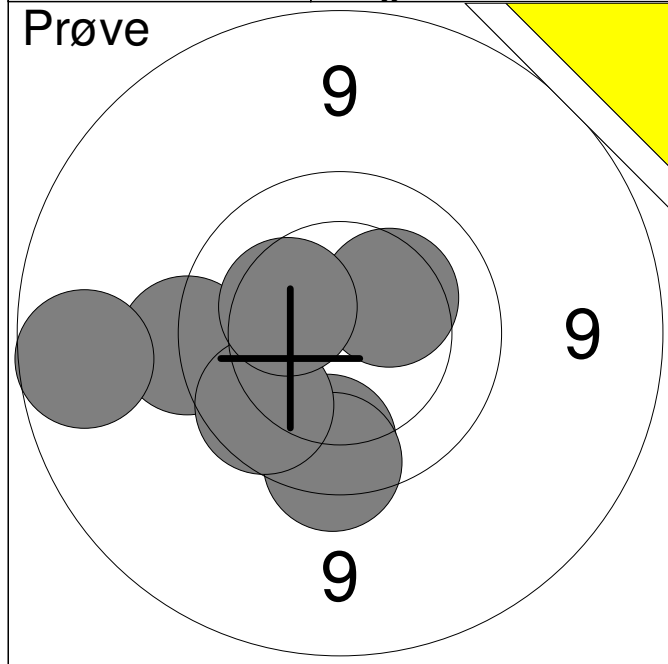
1:	10.1	←
2:	7.8	←
3:	10.6x	↗
4:	9.2	←
<b>Serie</b>		<b>36.0</b>
<b>Total</b>		<b>0.0</b>



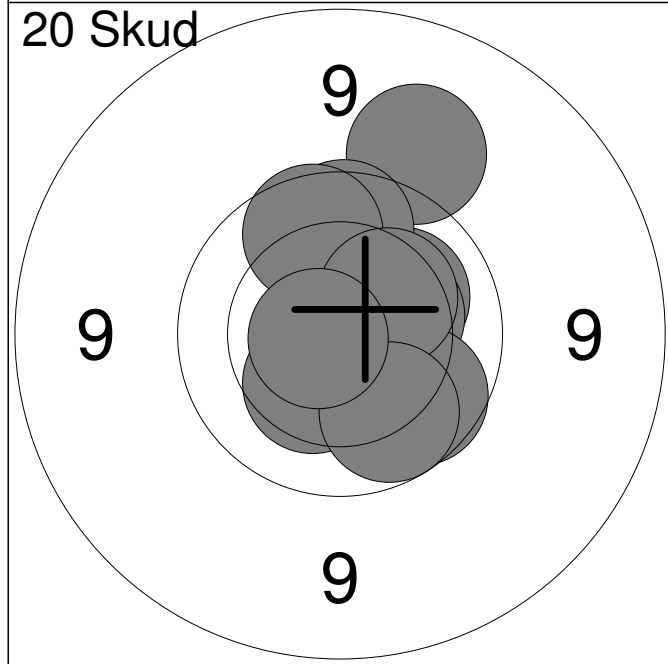
1:	8.8	↘
2:	9.5	↑
3:	9.9	←
4:	9.5	←
5:	9.4	↘
6:	9.7	→
7:	8.6	↘
8:	8.3	→
9:	9.8	←
10:	10.6x	↗
<b>Serie</b>		<b>88.0</b>
<b>Total</b>		<b>88.0</b>



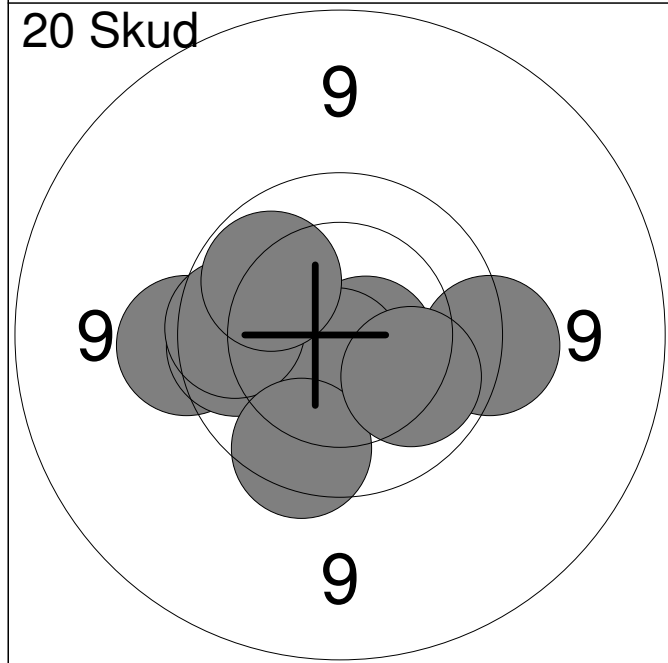
11:	7.6	→
12:	9.2	↗
13:	8.8	↗
14:	9.3	←
15:	9.1	↘
16:	9.0	←
17:	8.0	↗
18:	9.4	→
19:	8.6	↗
20:	9.0	↗
<b>Serie</b>		<b>85.0</b>
<b>Total</b>		<b>173.0</b>



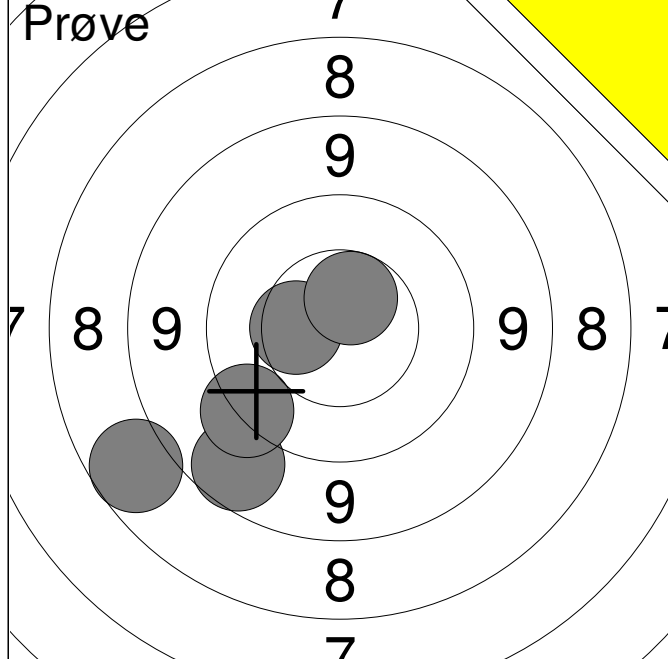
1:	9.8	↓
2:	9.6	←
3:	8.9	←
4:	9.7	↓
5:	9.9	↙
6:	10.3	↗
7:	10.3	↖
Serie		64.0
Total		0.0



1:	9.3	↑
2:	10.3	↙
3:	10.2	↗
4:	10.3	→
5:	9.9	↑
6:	9.9	↑
7:	9.9	↘
8:	10.3	↗
9:	10.0	↓
10:	10.7x	←
Serie		96.0
Total		96.0

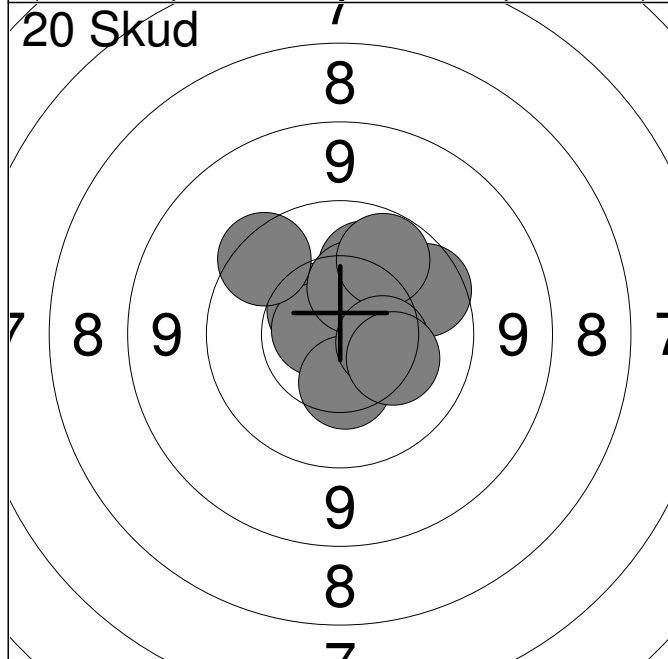


11:	10.5	←
12:	9.6	←
13:	9.9	←
14:	10.7x	→
15:	10.7x	↓
16:	9.6	→
17:	9.9	←
18:	9.8	↙
19:	10.0	↗
20:	10.1	↘
Serie		95.0
Total		191.0



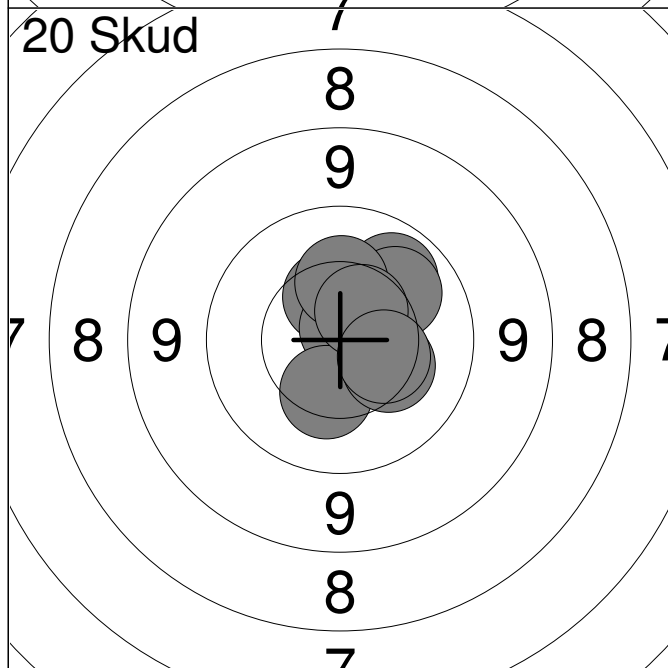
1:	7.9	↙
2:	8.9	↙
3:	9.5	↙
4:	10.4	←
5:	10.6	↑

Serie	44.0
Total	0.0



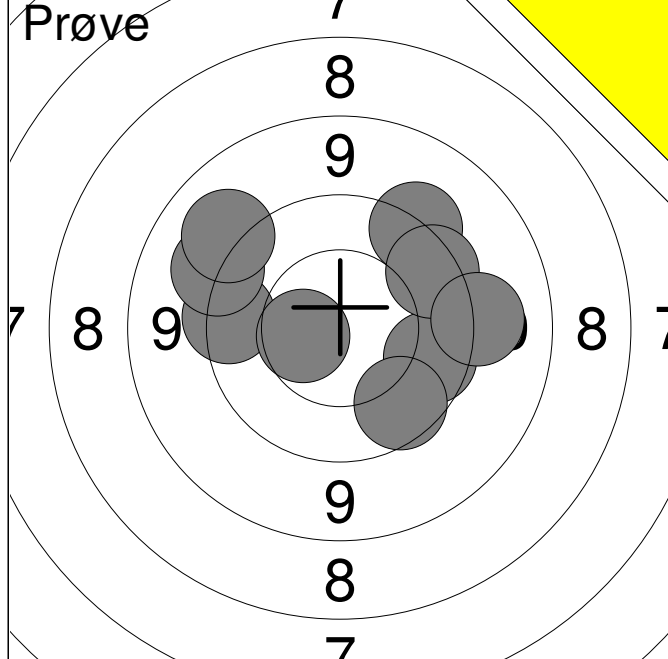
1:	10.5	↗
2:	10.7x	←
3:	10.1	↑
4:	10.4	↑
5:	9.8	→
6:	10.4	↓
7:	10.0	↗
8:	10.4	→
9:	10.3	↘
10:	9.7	↖

Serie	98.0
Total	98.0



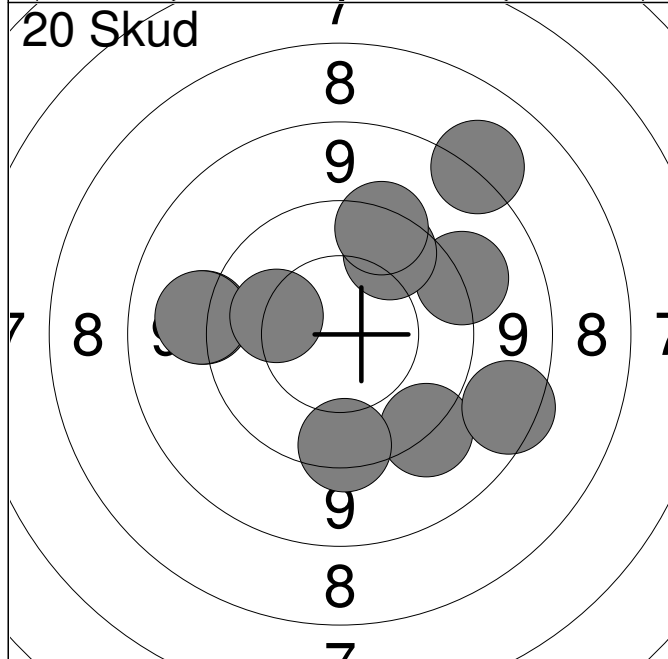
11:	10.4	↑
12:	10.4	↑
13:	10.8x	↗
14:	10.0	↗
15:	10.3	↓
16:	10.1	↗
17:	10.3	↑
18:	10.5	↗
19:	10.3	↘
20:	10.4	↘

Serie	100.0
Total	198.0



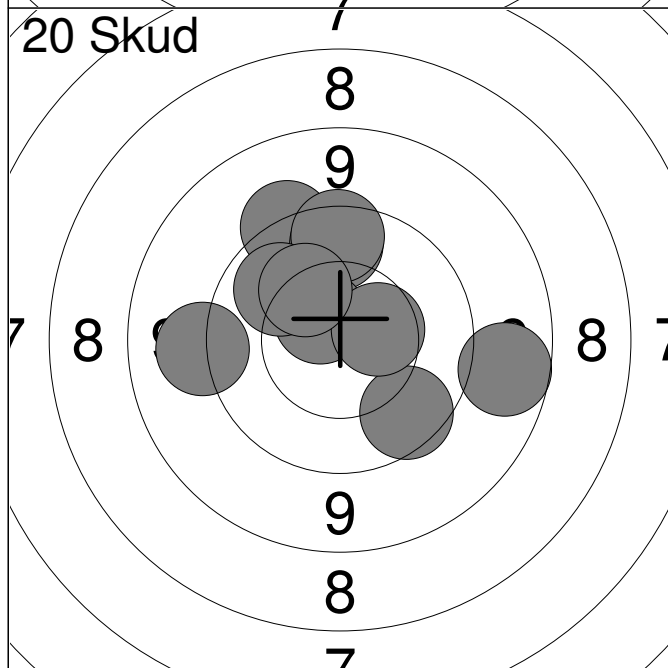
1:	9.6	←
2:	9.8	→
3:	9.5	↗
4:	9.3	↗
5:	9.7	↗
6:	9.2	↗
7:	9.3	→
8:	10.5	←
9:	9.8	↘

Serie	82.0
Total	0.0



1:	9.4	↘
2:	9.3	←
3:	9.3	←
4:	9.6	↓
5:	10.2	←
6:	9.3	→
7:	9.8	↗
8:	9.6	↗
9:	8.7	→
10:	8.3	↗

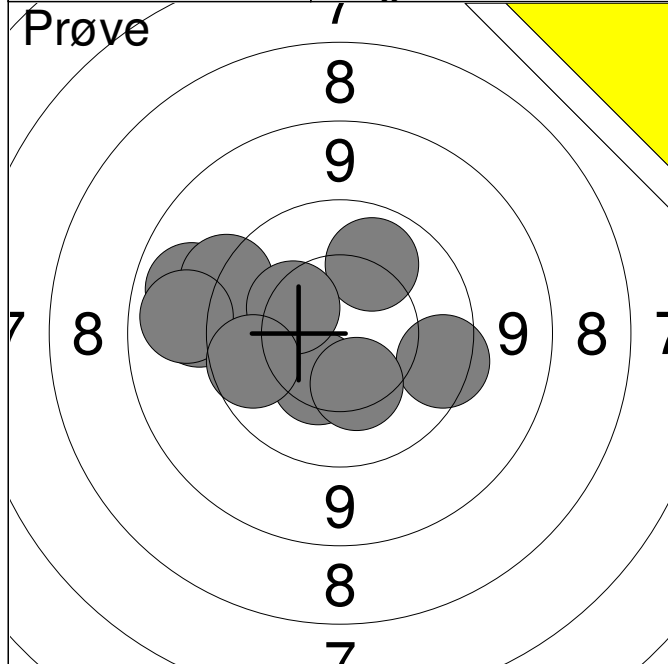
Serie	89.0
Total	89.0



11:	9.3	←
12:	9.5	↗
13:	9.8	↑
14:	9.8	↘
15:	10.6x	↗
16:	9.7	↑
17:	10.0	↗
18:	8.9	→
19:	10.5	→
20:	10.2	↗

Serie	93.0
Total	182.0

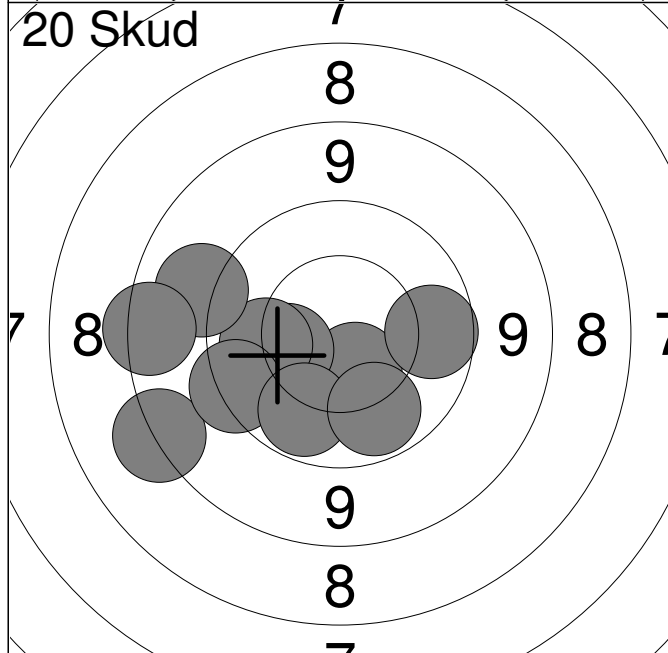




1:	9.3	←
2:	10.4	↓
3:	9.1	←
4:	9.5	↗
5:	9.1	←
6:	10.1	↗
7:	10.3	↗
8:	9.7	→
9:	9.9	←
10:	10.3	↓

Serie	94.0
-------	------

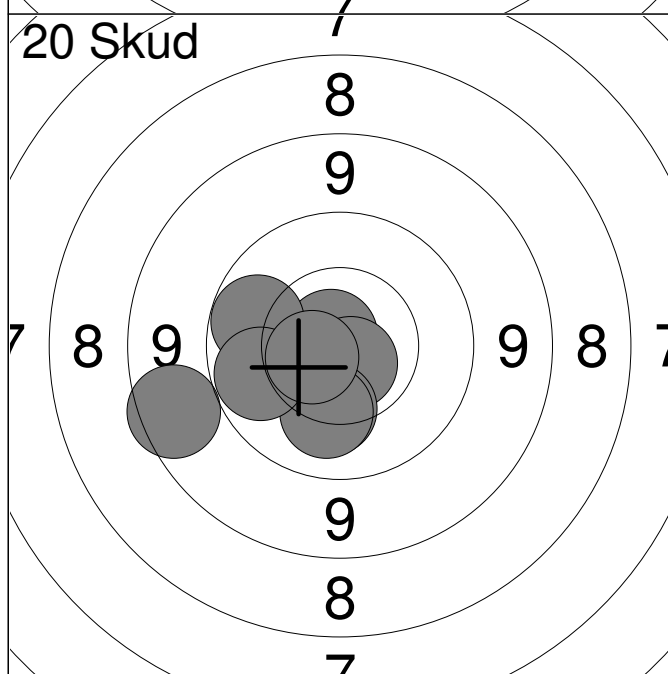
Total	0.0
-------	-----



1:	10.5	↓
2:	8.4	←
3:	10.3	←
4:	10.1	←
5:	9.2	←
6:	9.6	←
7:	9.9	→
8:	10.0	↓
9:	8.6	←
10:	10.0	↓

Serie	93.0
-------	------

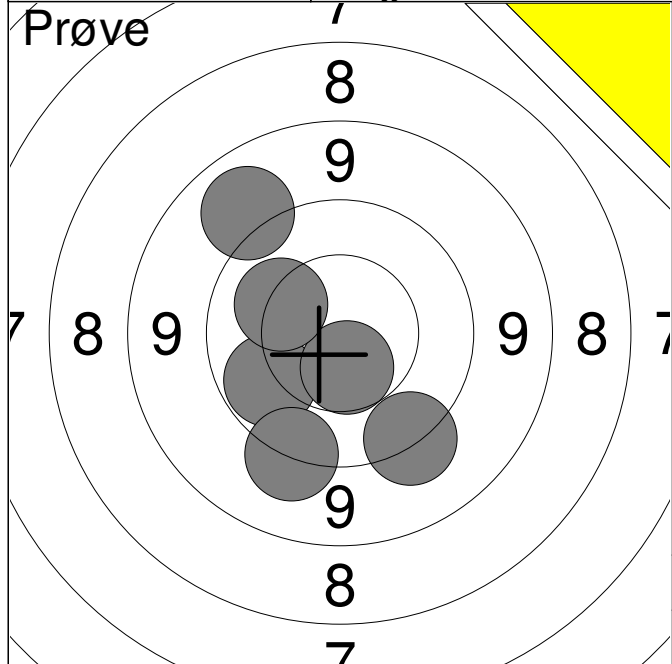
Total	93.0
-------	------



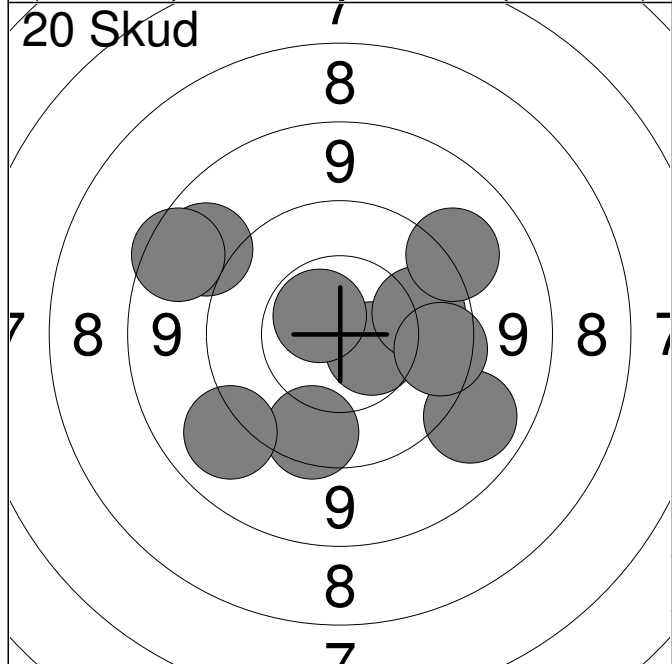
11:	10.4	←
12:	10.6x	←
13:	10.8x	↗
14:	10.7x	↓
15:	10.2	↓
16:	10.0	←
17:	10.2	↓
18:	8.8	←
19:	10.0	←
20:	10.6x	←

Serie	98.0
-------	------

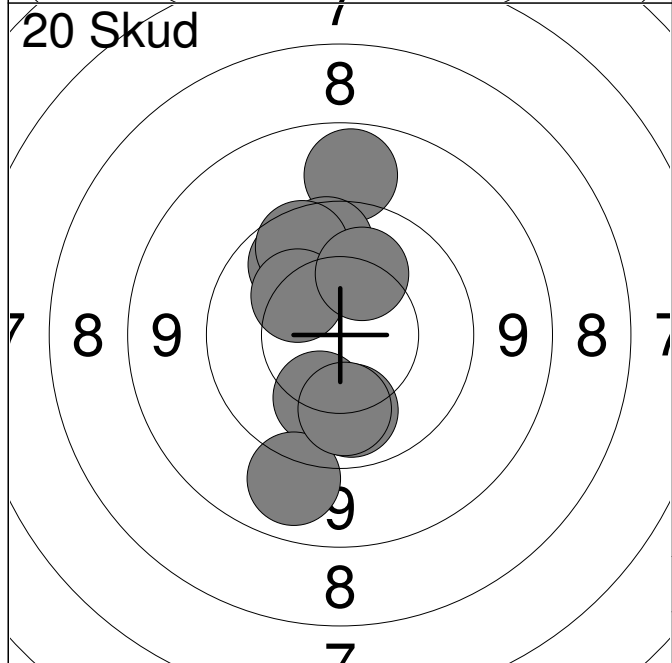
Total	191.0
-------	-------



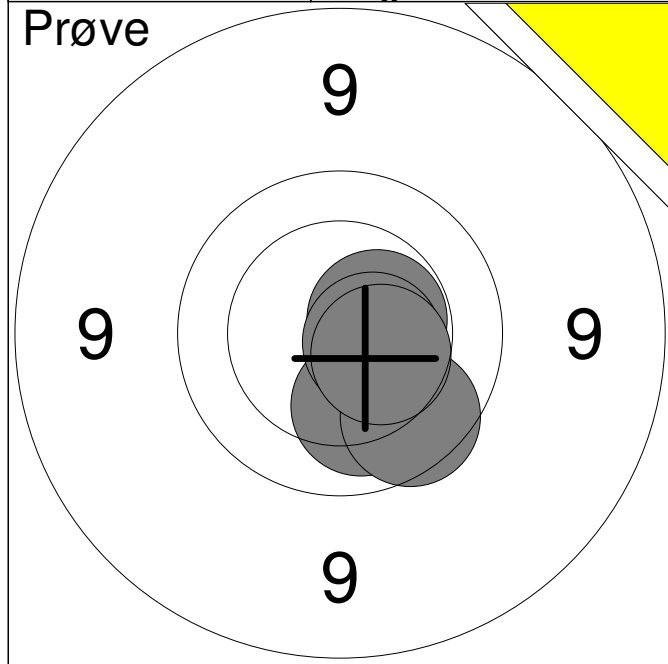
1:	9.4	↘
2:	9.1	↗
3:	10.0	↙
4:	9.4	↘
5:	10.6	↘
6:	10.2	↗
<b>Serie</b>		<b>57.0</b>
<b>Total</b>		<b>0.0</b>



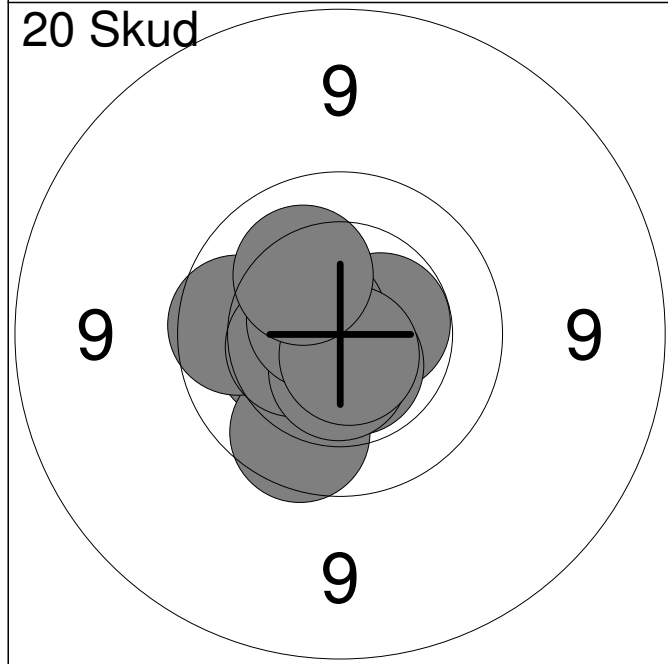
1:	9.0	↗
2:	10.5	↘
3:	10.0	→
4:	9.1	↘
5:	9.3	↗
6:	8.8	↗
7:	10.6x	↗
8:	9.8	→
9:	9.8	↘
10:	9.2	↙
<b>Serie</b>		<b>92.0</b>
<b>Total</b>		<b>92.0</b>



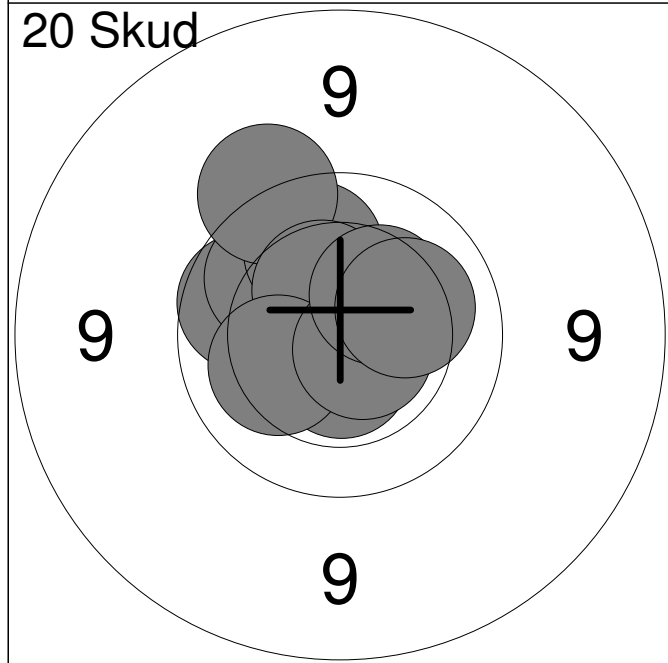
11:	10.1	↘
12:	10.0	↗
13:	9.0	↑
14:	9.9	↑
15:	10.2	↘
16:	9.8	↗
17:	10.3	↗
18:	10.2	↗
19:	9.1	↘
20:	10.1	↘
<b>Serie</b>		<b>96.0</b>
<b>Total</b>		<b>188.0</b>



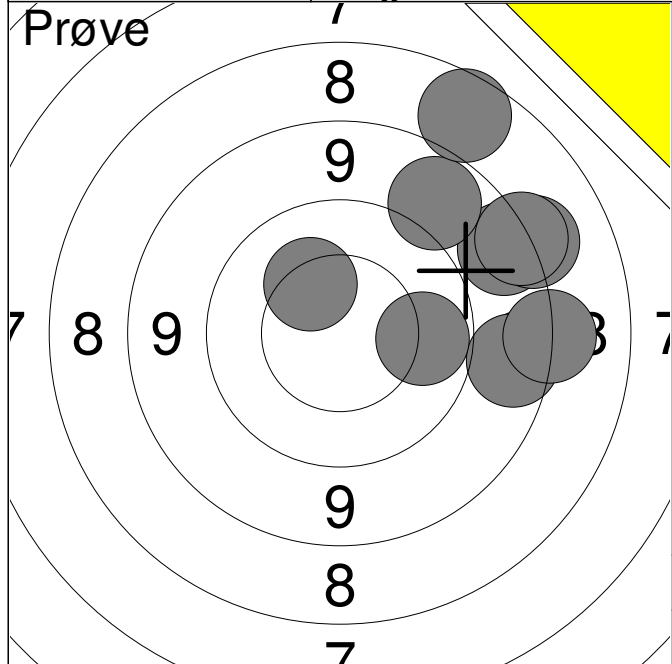
1:	10.1	↘
2:	10.5x	→
3:	9.8	↘
4:	10.6x	→
5:	10.5	↘
<b>Serie</b>		<b>49.0</b>
<b>Total</b>		<b>0.0</b>



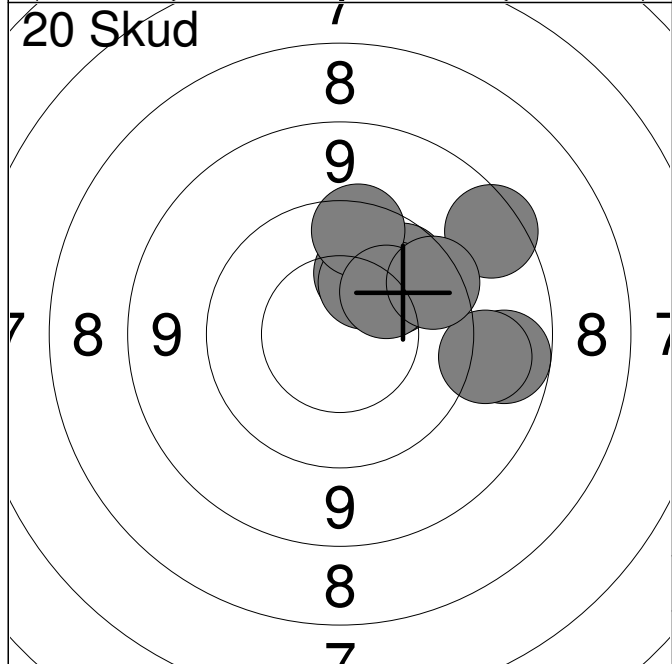
1:	10.3	←
2:	9.9	↘
3:	9.9	←
4:	10.5x	→
5:	10.6x	↘
6:	10.4	←
7:	10.6x	↘
8:	10.7x	↗
9:	10.7x	↘
10:	10.2	↗
<b>Serie</b>		<b>98.0</b>
<b>Total</b>		<b>98.0</b>



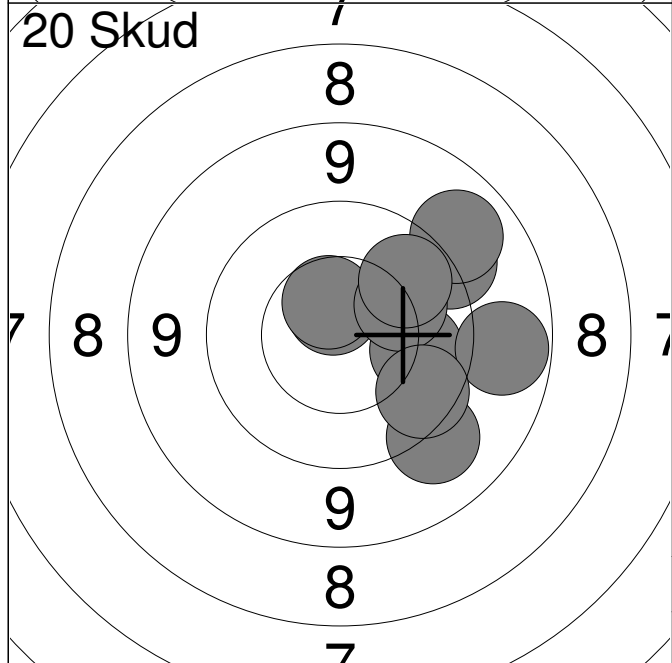
11:	9.9	←
12:	10.0	↗
13:	10.6x	↘
14:	10.0	↗
15:	9.5	↗
16:	10.4	↗
17:	10.2	←
18:	10.7x	↘
19:	10.3	↗
20:	10.2	→
<b>Serie</b>		<b>98.0</b>
<b>Total</b>		<b>196.0</b>



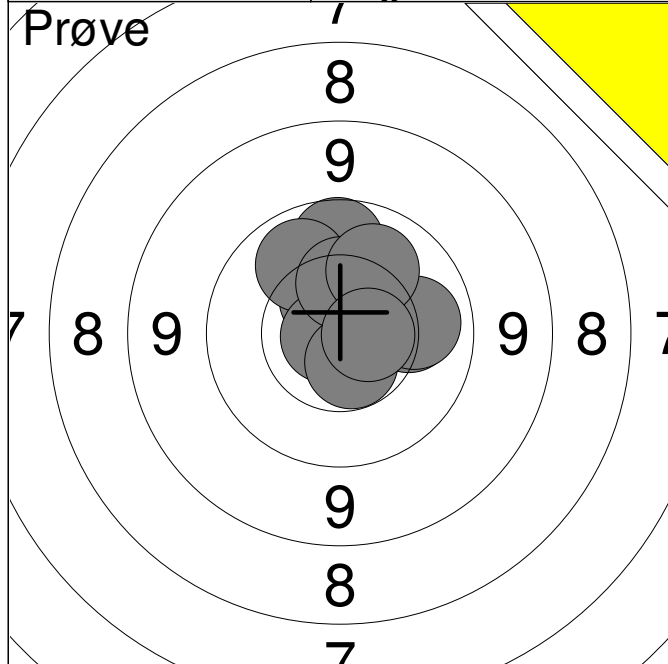
1:	8.7	↗
2:	8.3	↗
3:	9.0	↗
4:	8.8	→
5:	7.9	↗
6:	8.4	→
7:	10.3	↗
8:	10.0	→
9:	8.4	↗
<b>Serie</b>		<b>76.0</b>
<b>Total</b>		<b>0.0</b>



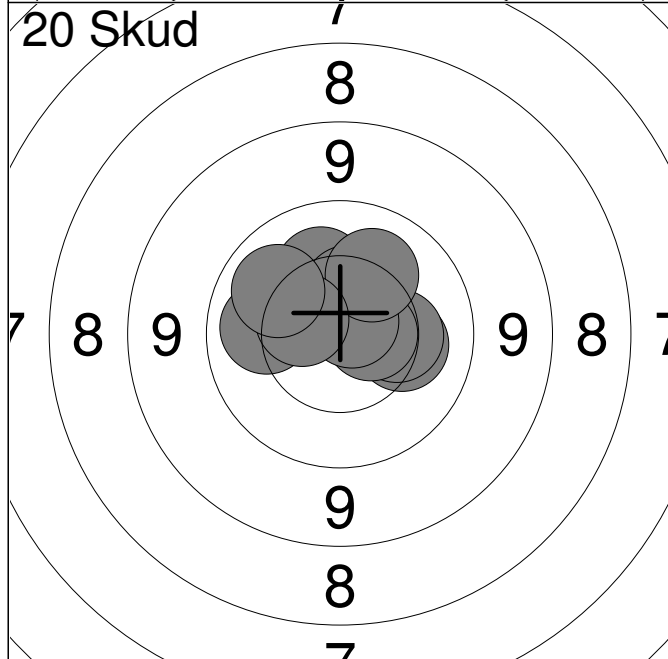
1:	8.7	↗
2:	8.9	→
3:	9.9	↗
4:	10.2	↗
5:	9.2	→
6:	10.1	↗
7:	10.3	↗
8:	9.7	↗
9:	10.2	↗
10:	9.7	↗
<b>Serie</b>		<b>92.0</b>
<b>Total</b>		<b>92.0</b>



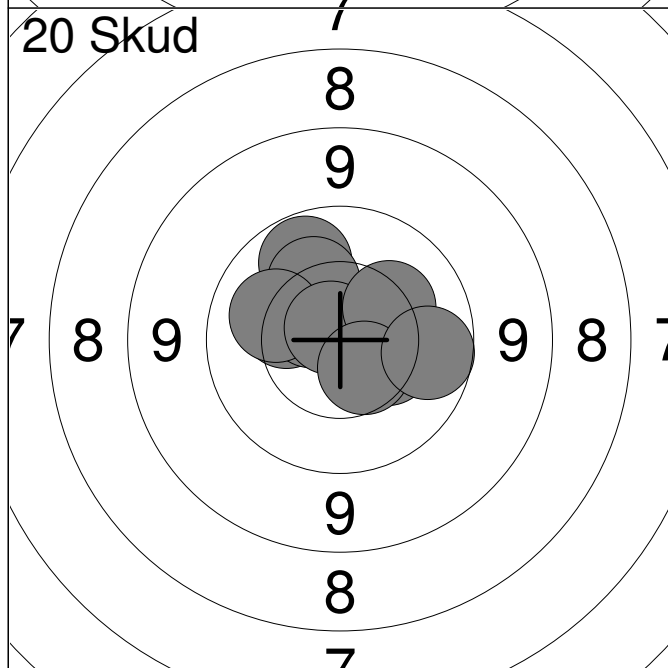
11:	10.6x	↗
12:	10.0	→
13:	9.3	↘
14:	10.6	↗
15:	9.4	↗
16:	9.0	→
17:	10.2	↗
18:	9.1	↗
19:	10.0	↗
20:	9.8	↘
<b>Serie</b>		<b>95.0</b>
<b>Total</b>		<b>187.0</b>



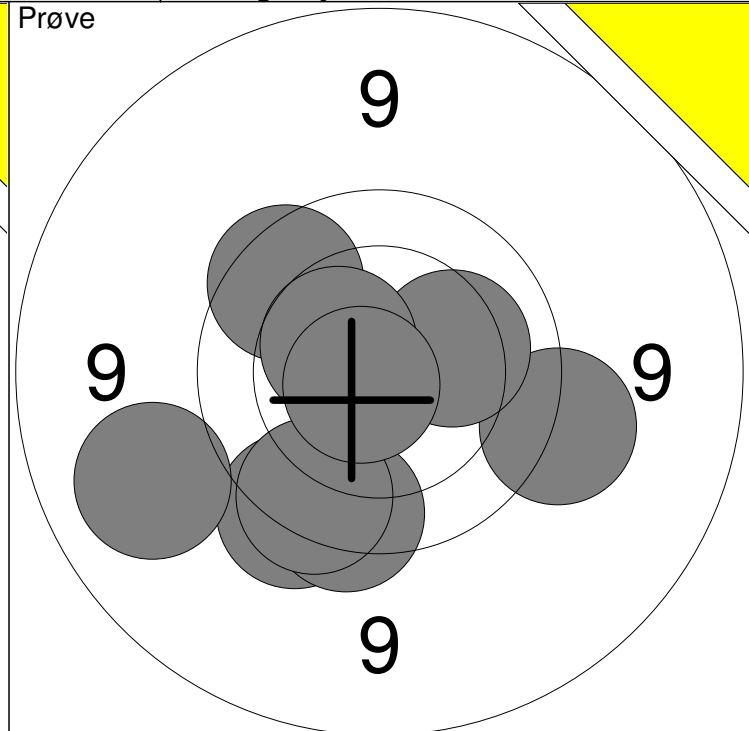
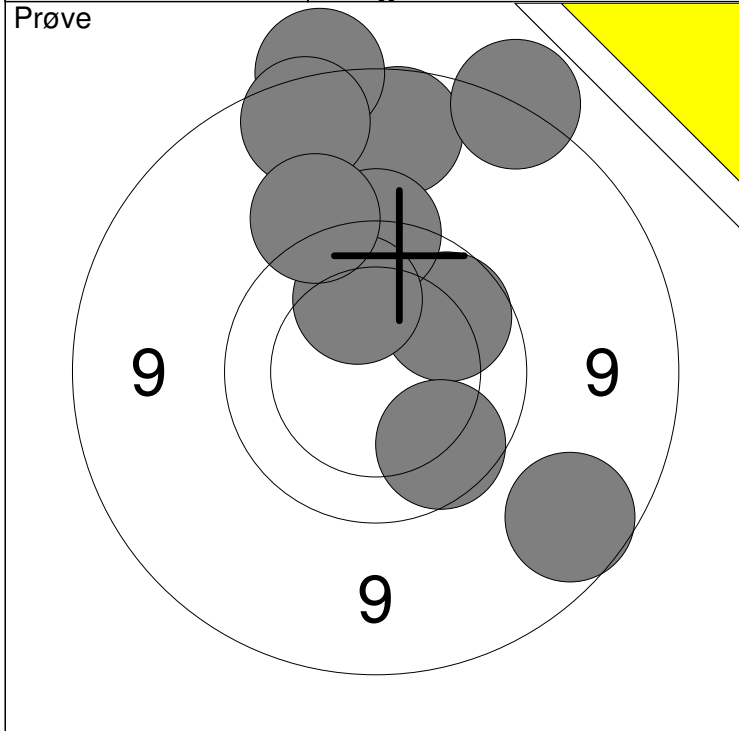
1:	10.2	→
2:	10.1	→
3:	10.5	↑
4:	9.9	↑
5:	10.1	↑
6:	10.8x	←
7:	10.6x	↓
8:	10.4	↑
9:	10.1	↗
10:	10.6x	→
<b>Serie</b>		<b>99.0</b>
<b>Total</b>		<b>0.0</b>



1:	10.2	→
2:	10.3	→
3:	10.6x	→
4:	10.2	↑
5:	10.1	←
6:	10.4	↑
7:	10.7x	↗
8:	10.2	↗
9:	10.5	←
10:	10.1	↖
<b>Serie</b>		<b>100.0</b>
<b>Total</b>		<b>100.0</b>

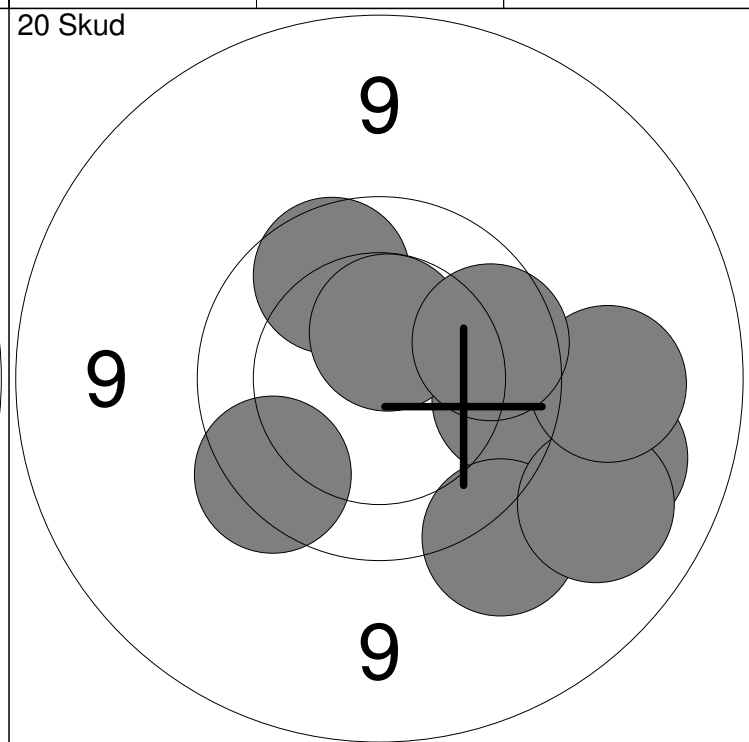
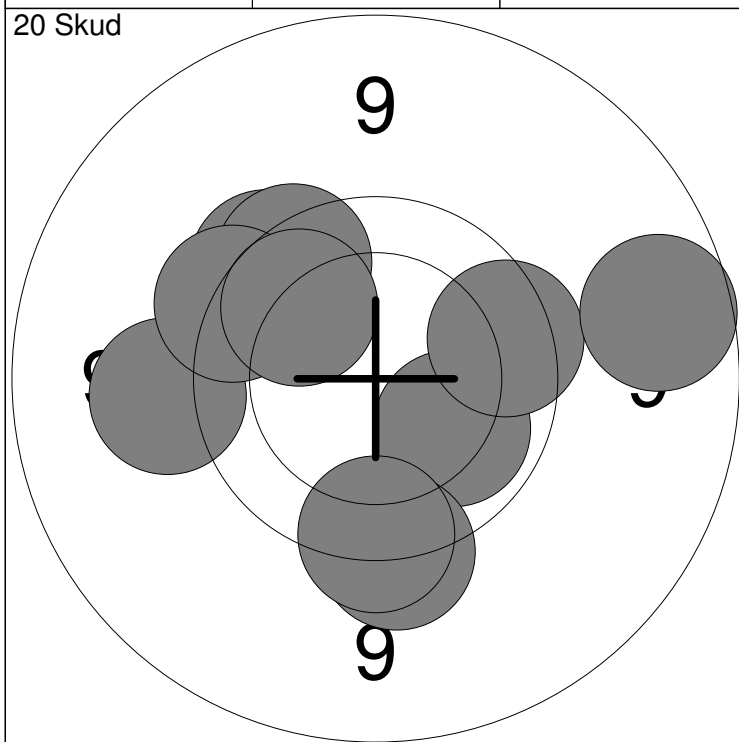


11:	10.0	↖
12:	10.3	↖
13:	10.6	↗
14:	10.2	↗
15:	10.2	↗
16:	10.4	↓
17:	10.8x	↗
18:	10.3	↗
19:	10.5	↓
20:	9.9	→
<b>Serie</b>		<b>99.0</b>
<b>Total</b>		<b>199.0</b>



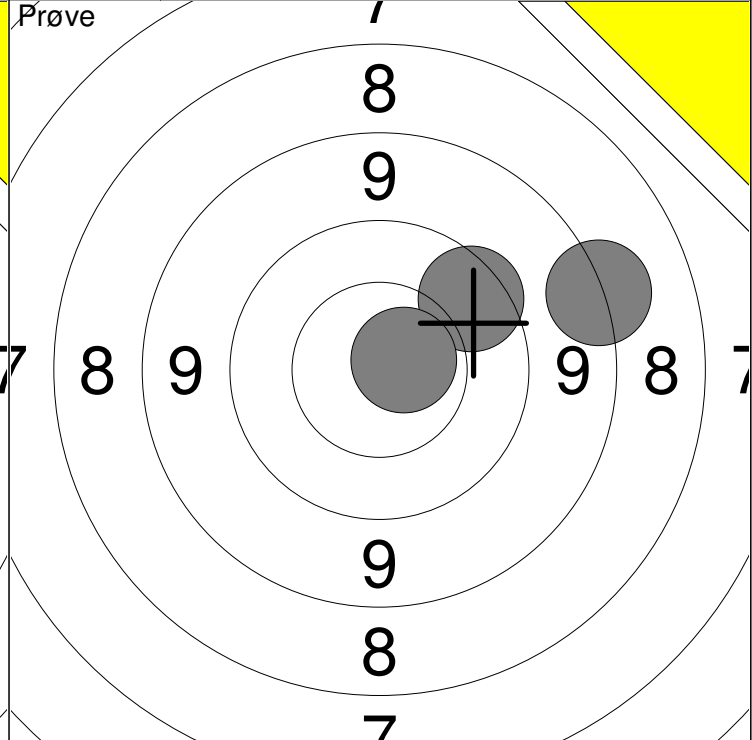
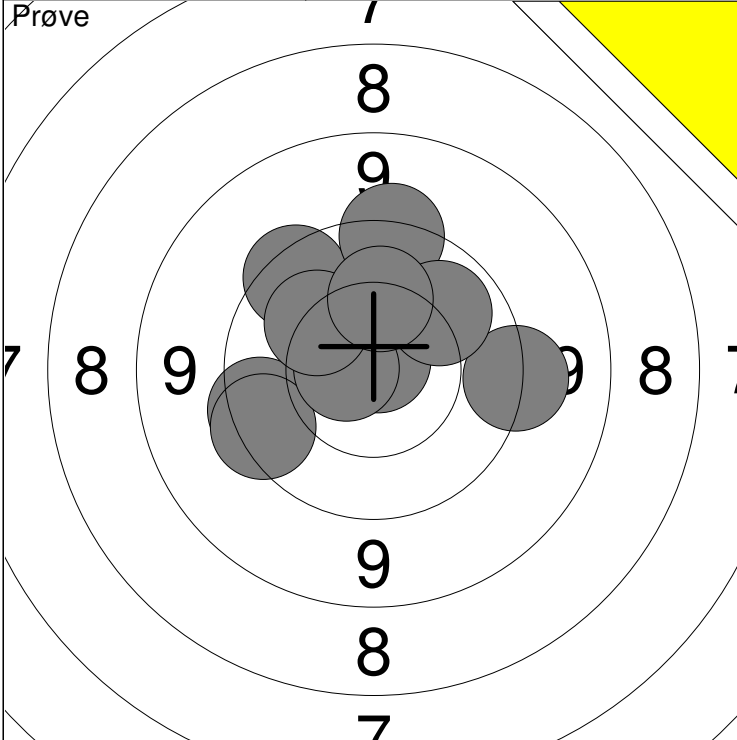
1: 9.9 ↗	6: 9.6 ↑	Serie	86
2: 8.9 ↑	7: 10.1 ↑		
3: 9.9 ↘	8: 8.7 ↗	Total	0
4: 8.7 ↑	9: 9.4 ↑		
5: 8.9 ↑	10: 8.9 ↘		

11: 9.5 →	16: 9.8 ↗	Serie	84
12: 9.6 ↘	17: 10.5 ↗		
13: 9.7 ↘	18: 9.1 ↙	Total	0
14: 9.7 ↘	19: 10.7x ↙		
15: 10.2 →			



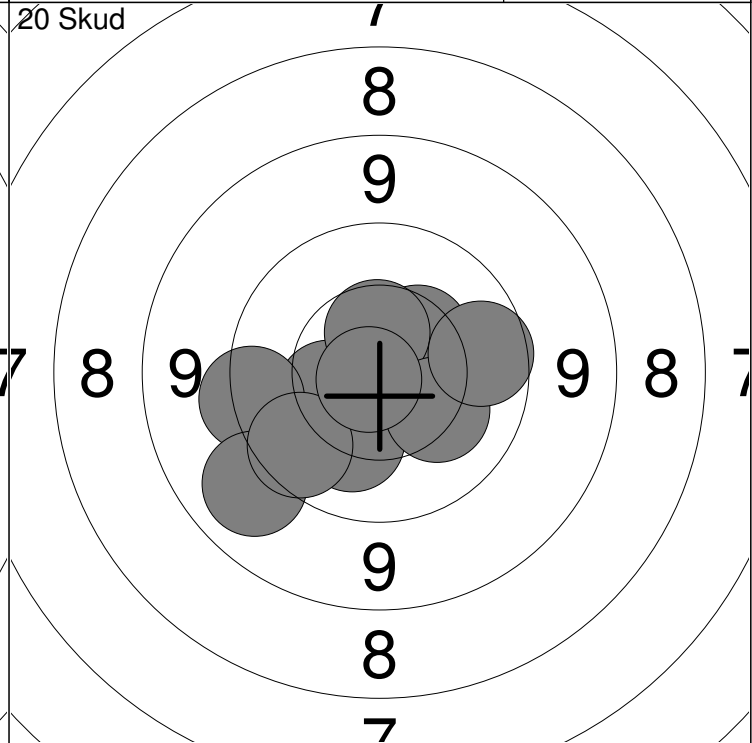
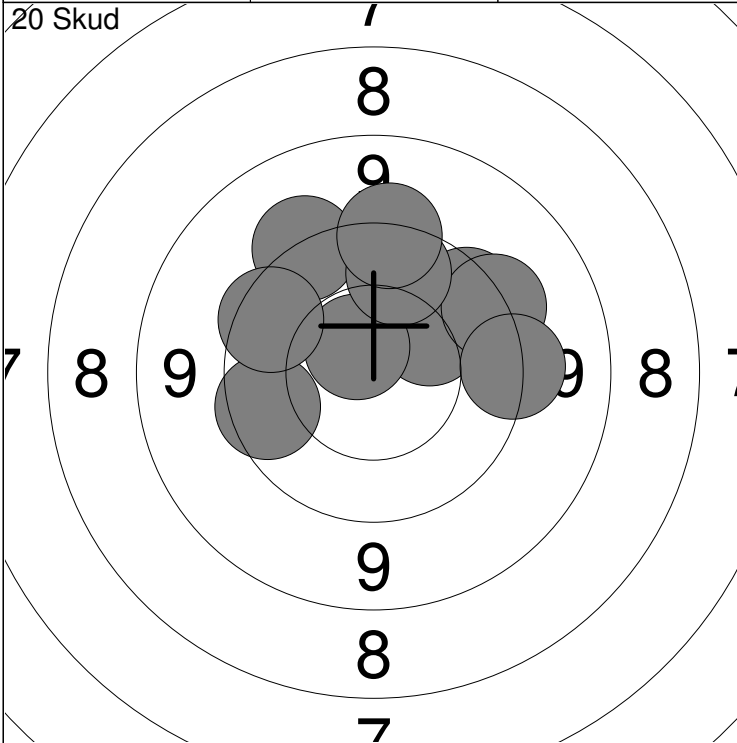
1: 10.1 ↘	6: 9.6 ↗	Serie	90
2: 9.4 ←	7: 9.9 ↗		
3: 9.7 ↗	8: 9.8 →	Total	90
4: 9.6 ↘	9: 8.9 →		
5: 9.7 ↗	10: 9.7 ↓		

11: 9.4 ↘	16: 9.1 ↘	Serie	91
12: 9.2 →	17: 9.7 ↘		
13: 9.8 →	18: 9.3 →	Total	181
14: 9.4 ↘	19: 10.5x ↑		
15: 9.9 ↗	20: 9.9 →		



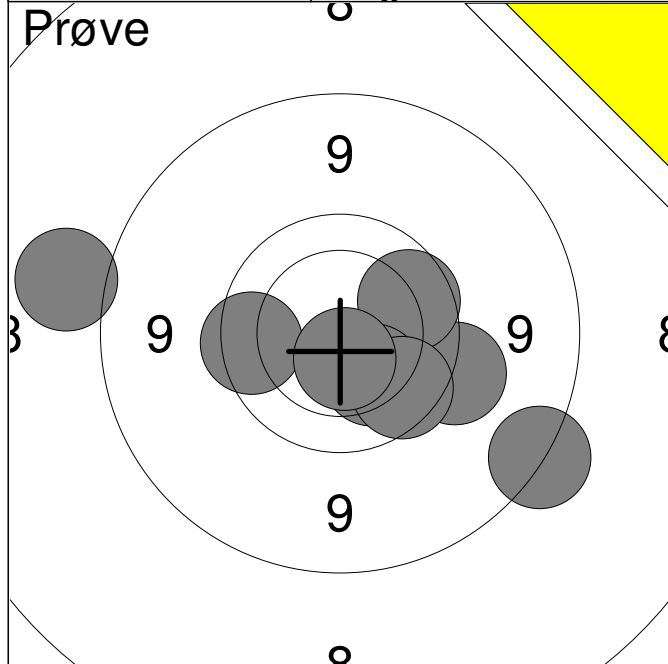
1: 9.7 ←	6: 9.4 →	Serie	95
2: 9.6 ↙	7: 9.5 ↑		
3: 10.8x ↗	8: 10.2 ↖	Total	0
4: 9.7 ↖	9: 10.1 ↗		
5: 10.7x ←	10: 10.2 ↑		

11: 9.7 ↗	Serie	27
12: 8.4 →		
13: 10.7x ↗	Total	0

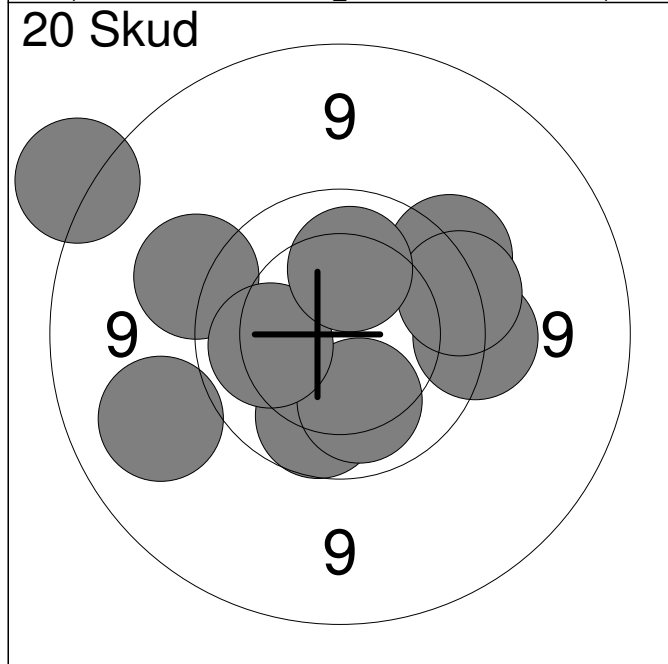


1: 9.7 ↗	6: 9.5 →	Serie	92
2: 10.2 ↗	7: 10.6x ↖		
3: 9.4 ↖	8: 9.7 ↖	Total	92
4: 9.8 ←	9: 9.9 ↑		
5: 9.5 ↗	10: 9.5 ↑		

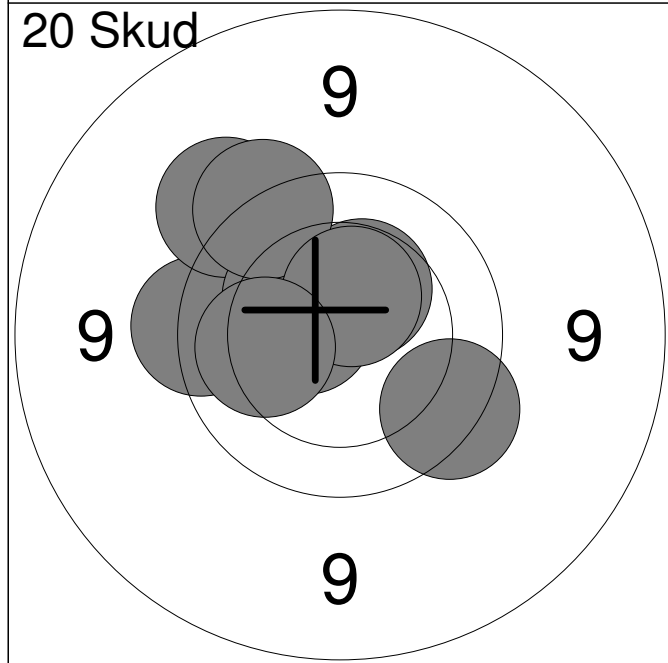
11: 10.4 ↗	16: 9.2 ↙	Serie	96
12: 10.4 ←	17: 9.8 ↙		
13: 9.6 ←	18: 10.2 ↘	Total	188
14: 10.5 ↑	19: 9.9 →		
15: 10.2 ↘	20: 10.8x ↙		



1:	9.5	→
2:	8.5	←
3:	9.8	←
4:	9.9	→
5:	10.2	↘
6:	8.7	↘
7:	9.8	↘
8:	10.6x	↘
<b>Serie</b>		<b>72.0</b>
<b>Total</b>		<b>0.0</b>

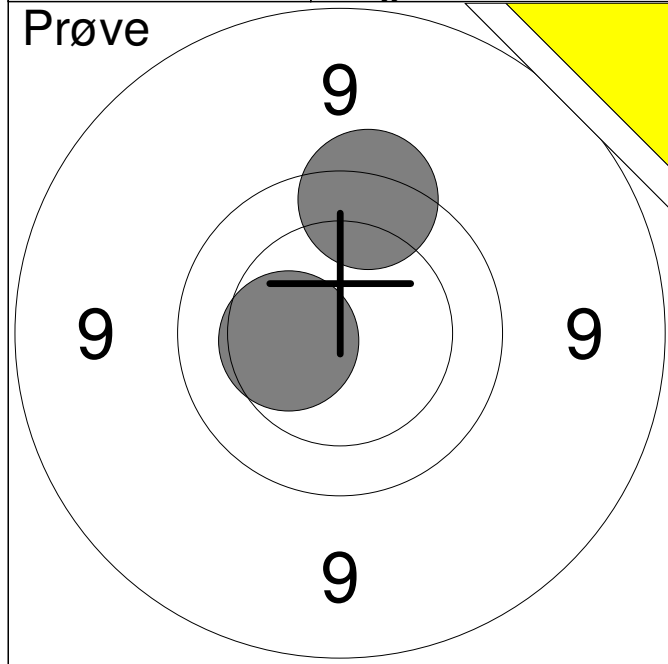


1:	9.6	↗
2:	9.6	→
3:	9.9	↘
4:	9.2	←
5:	9.5	↗
6:	10.1	↘
7:	9.7	→
8:	10.1	←
9:	10.2	↑
10:	8.6	↖
<b>Serie</b>		<b>92.0</b>
<b>Total</b>		<b>92.0</b>

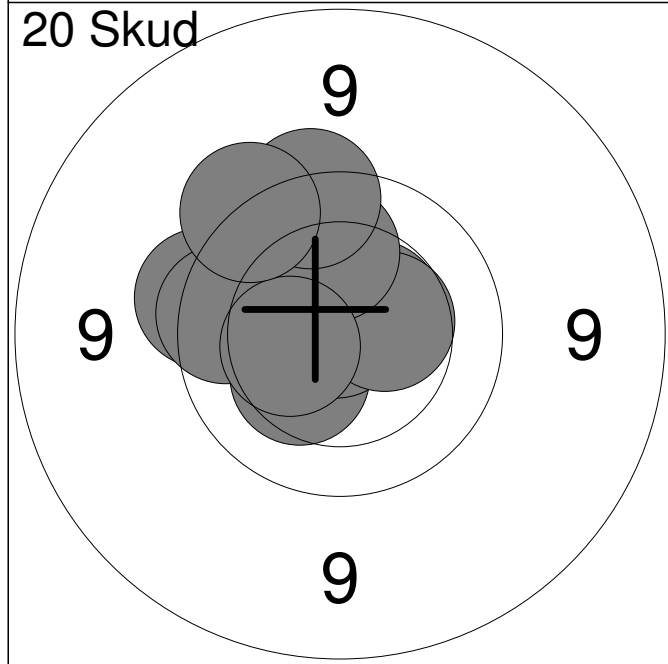


11:	10.3	↗
12:	10.4	↑
13:	9.7	↘
14:	9.7	←
15:	9.5	↗
16:	10.3	↗
17:	10.5x	←
18:	9.6	↗
19:	10.5x	↑
20:	10.1	←
<b>Serie</b>		<b>96.0</b>
<b>Total</b>		<b>188.0</b>

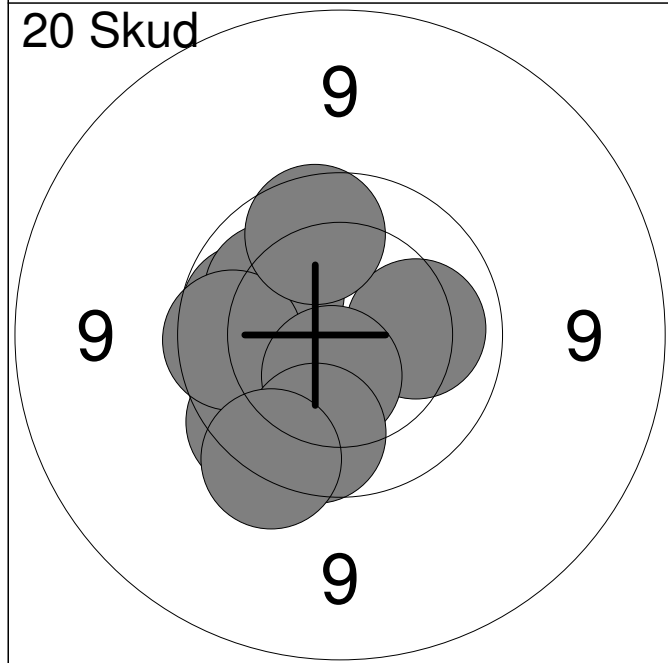




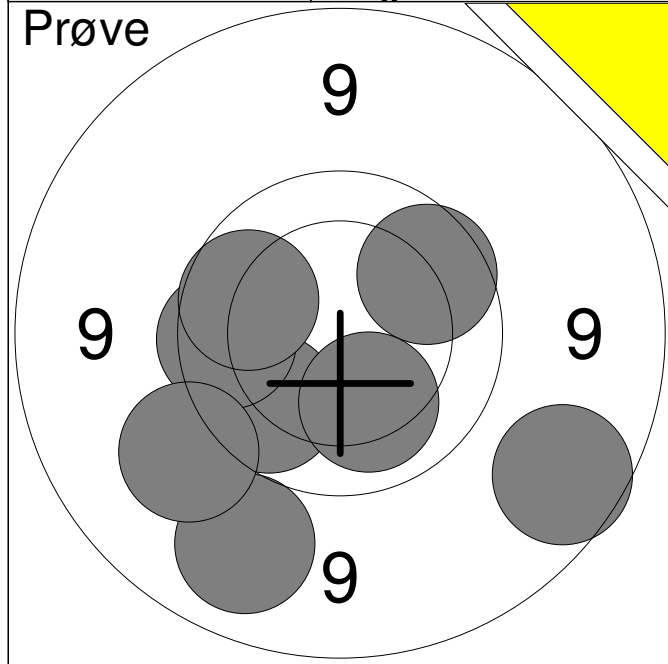
1:	9.7	↑
2:	10.4	←
Serie		19.0
Total		0.0



1:	10.5x	↗
2:	9.7	←
3:	10.3	↙
4:	10.9x	↗
5:	10.4	→
6:	9.8	←
7:	10.1	↑
8:	9.7	↑
9:	10.4	←
10:	9.6	↖
Serie		96.0
Total		96.0

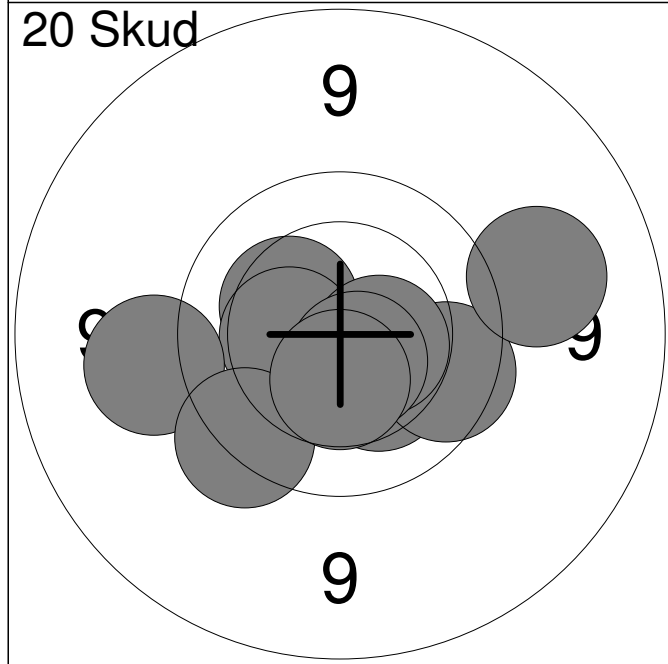


11:	10.0	←
12:	10.4	←
13:	10.1	↖
14:	9.8	↙
15:	10.1	→
16:	9.9	←
17:	10.5x	↓
18:	9.9	↓
19:	9.6	↙
20:	9.9	↑
Serie		95.0
Total		191.0



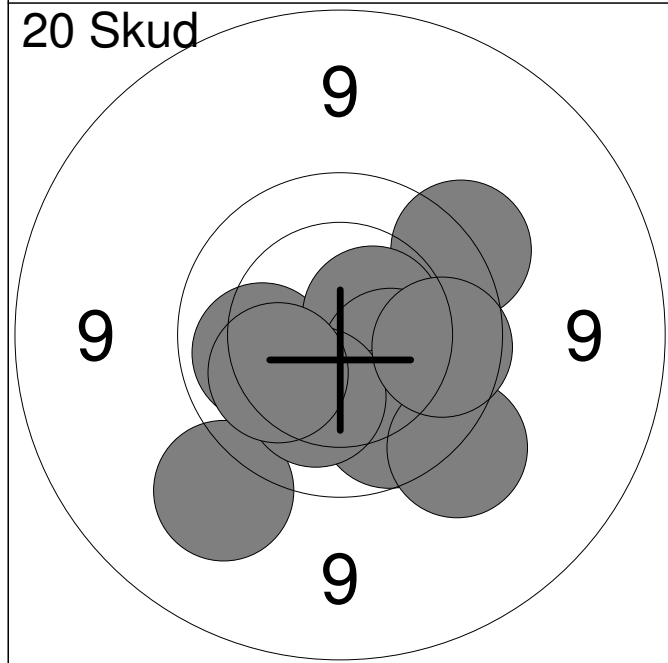
1:	9.9	↙
2:	9.1	↓
3:	9.9	↗
4:	9.8	←
5:	9.3	↙
6:	8.9	↘
7:	10.1	↘
8:	9.9	↗

Serie	72.0
Total	0.0



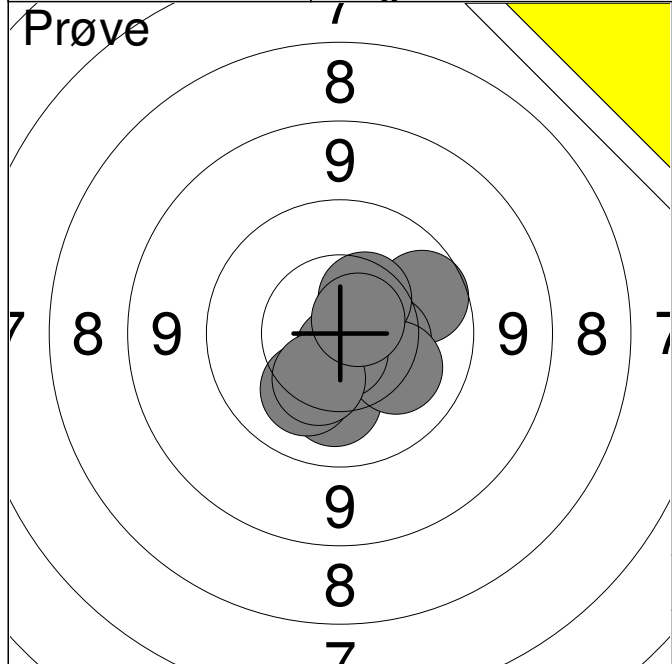
1:	10.3	↗
2:	10.3	↓
3:	9.8	→
4:	10.4	←
5:	10.5x	→
6:	9.3	→
7:	9.4	←
8:	9.7	↙
9:	10.6x	↘
10:	10.5	↓

Serie	96.0
Total	96.0

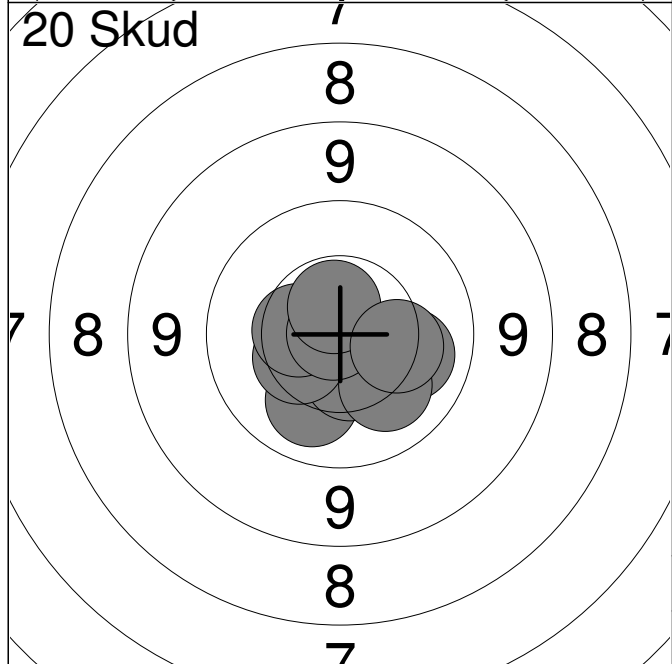


11:	10.1	←
12:	9.6	↗
13:	10.5x	↗
14:	10.3	→
15:	9.3	↙
16:	9.9	↘
17:	10.2	↘
18:	10.2	↙
19:	9.5	↘
20:	9.9	→

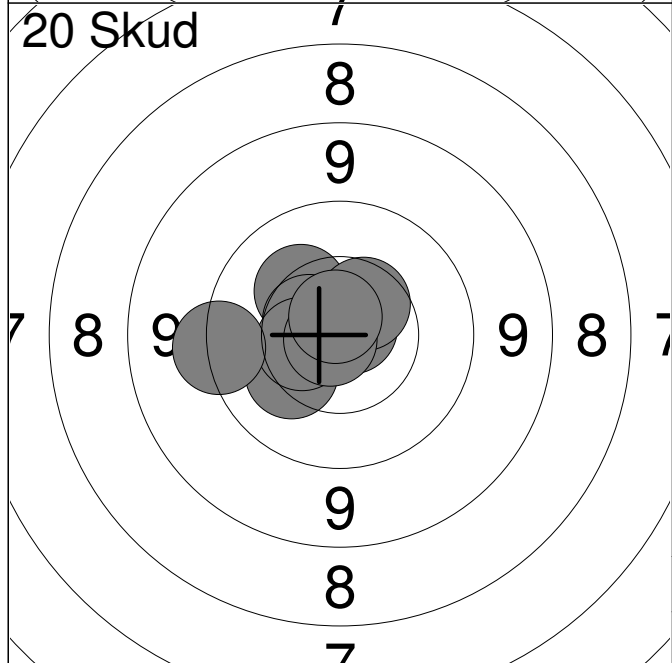
Serie	95.0
Total	191.0



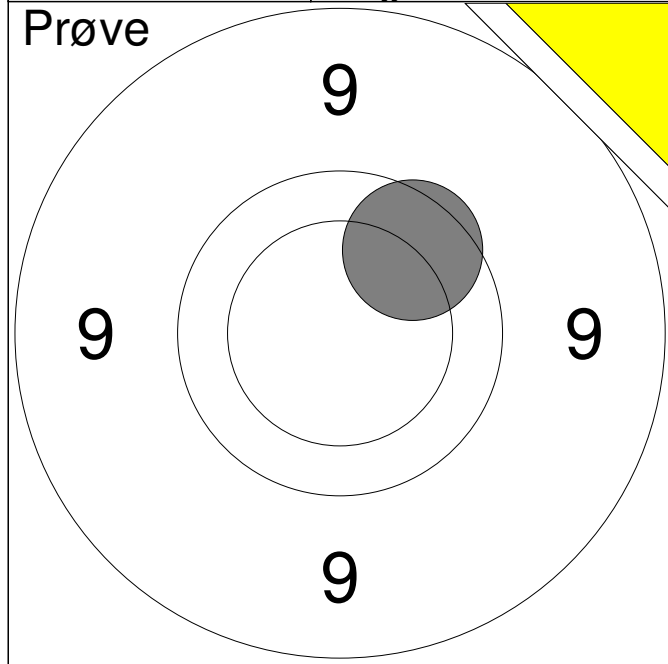
1:	10.2	↓
2:	10.2	↓
3:	9.9	→
4:	10.4	→
5:	10.2	↘
6:	10.7x	↓
7:	10.5	↗
8:	10.2	↓
9:	10.4	↓
10:	10.7x	↗
<b>Serie</b>		<b>99.0</b>
<b>Total</b>		<b>0.0</b>



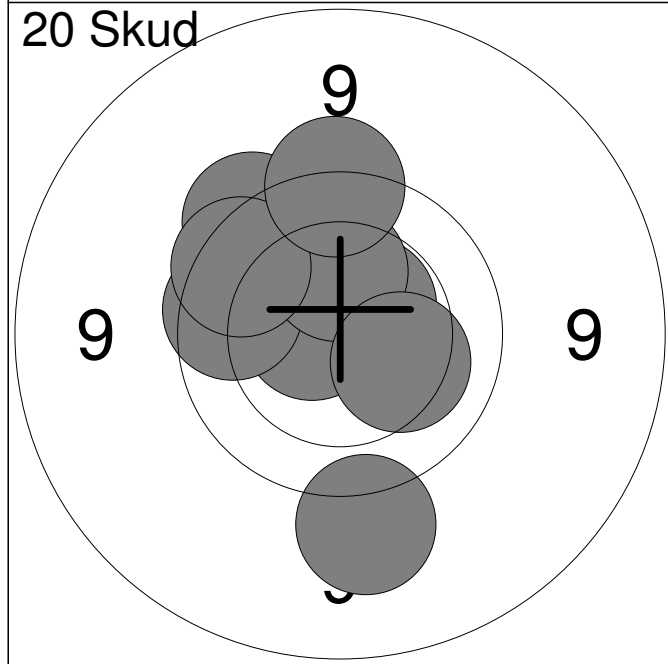
1:	10.1	↓
2:	10.9x	↓
3:	10.5	↓
4:	10.4	←
5:	10.1	→
6:	10.2	↓
7:	10.5	←
8:	10.9x	←
9:	10.6x	↑
10:	10.3	→
<b>Serie</b>		<b>100.0</b>
<b>Total</b>		<b>100.0</b>



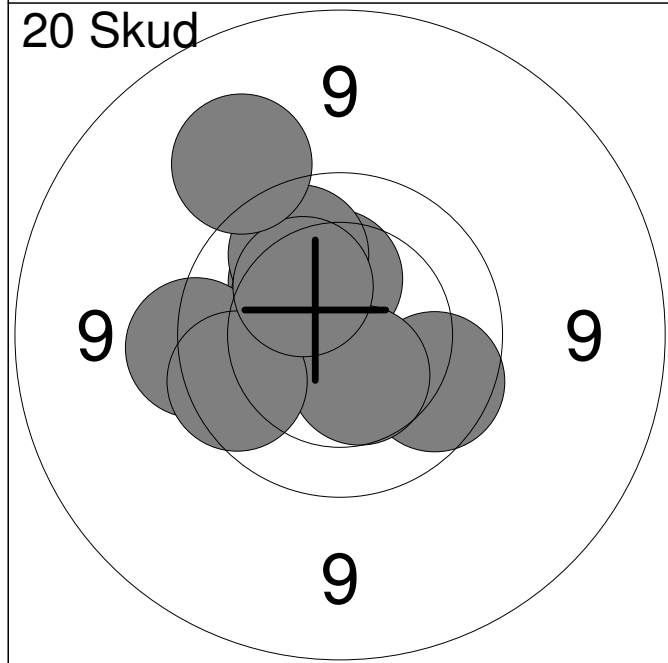
11:	10.7x	↗
12:	10.8x	↗
13:	10.3	↗
14:	10.2	↘
15:	10.5	↗
16:	10.6	↗
17:	10.5	←
18:	9.5	←
19:	10.8x	↘
20:	10.7x	↑
<b>Serie</b>		<b>99.0</b>
<b>Total</b>		<b>199.0</b>



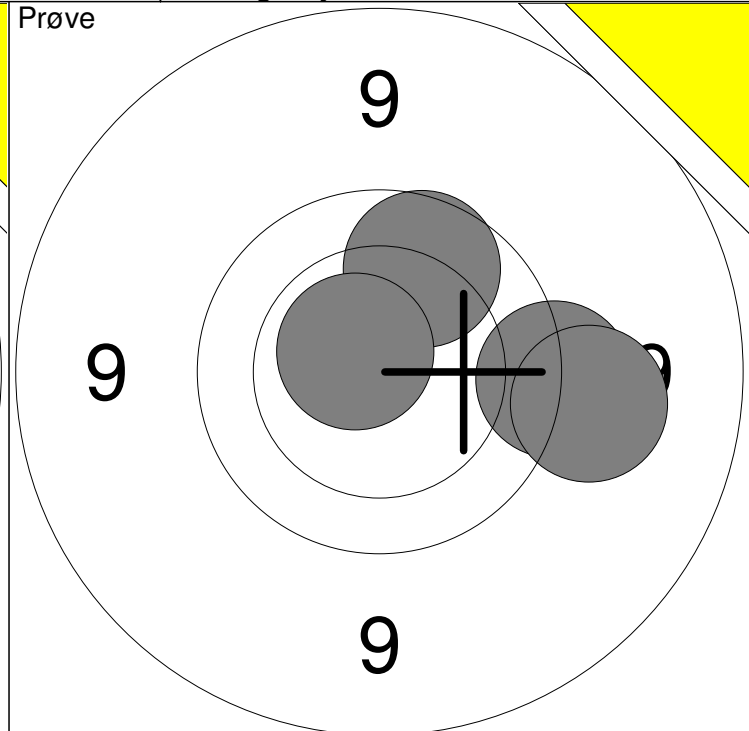
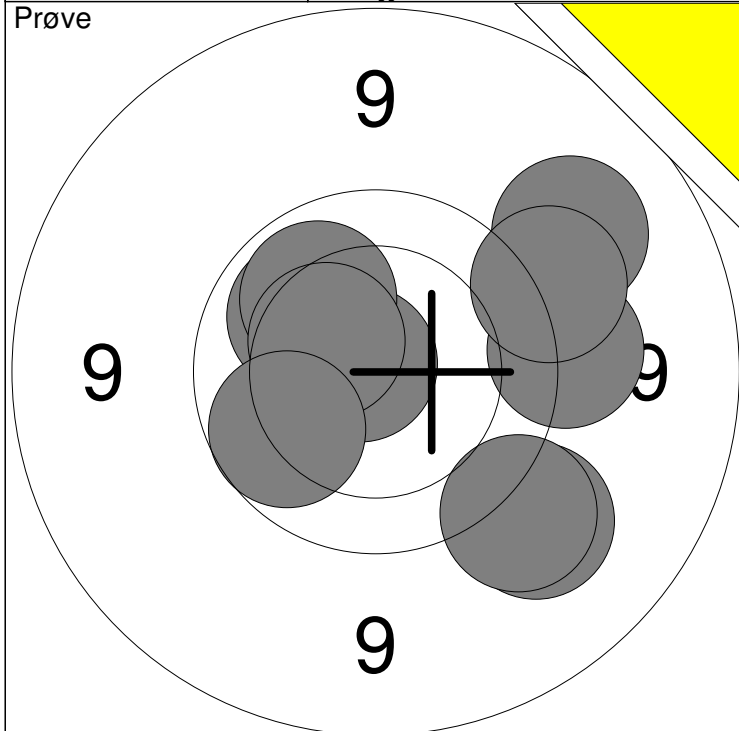
1:	9.8	↗
Serie		9.0
Total		0.0



1:	10.5	↗
2:	10.5x	↗
3:	9.6	↗
4:	10.6x	↖
5:	9.8	↖
6:	10.3	↗
7:	9.8	↗
8:	10.2	↘
9:	9.3	↘
10:	9.6	↗
Serie		95.0
Total		95.0

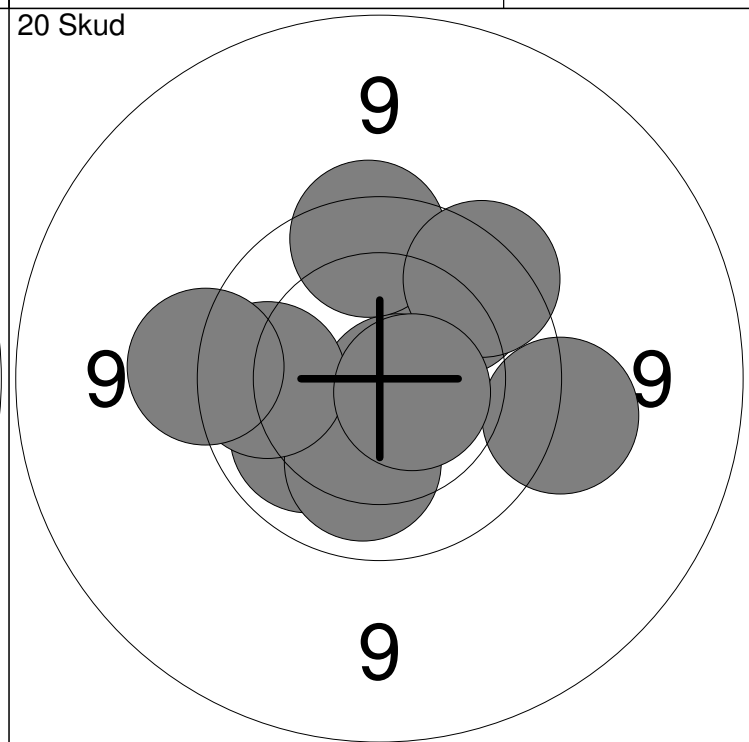
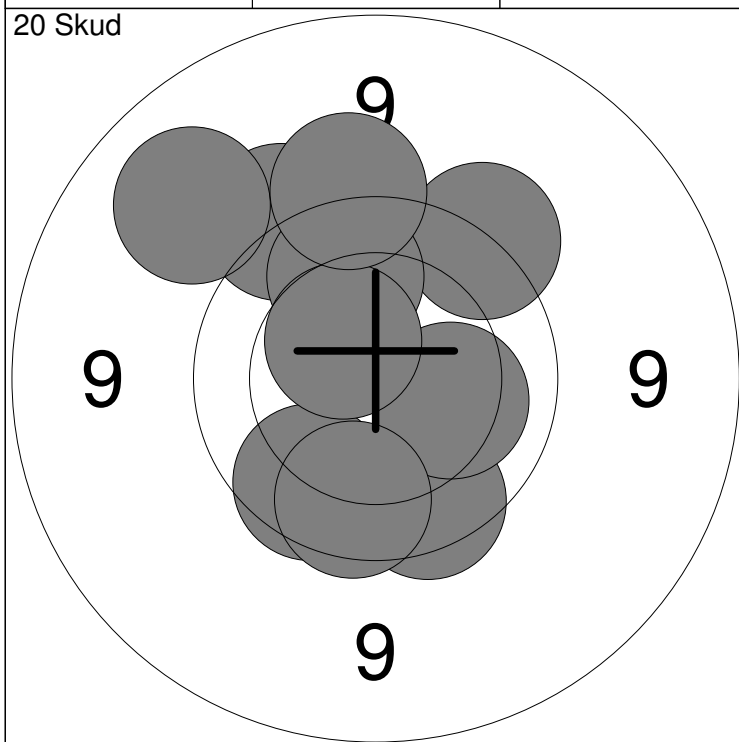


11:	10.2	↗
12:	10.4	↗
13:	9.6	↖
14:	10.3	↗
15:	10.0	↗
16:	9.9	↘
17:	10.5	↘
18:	9.8	↖
19:	10.3	↗
20:	9.3	↗
Serie		96.0
Total		191.0



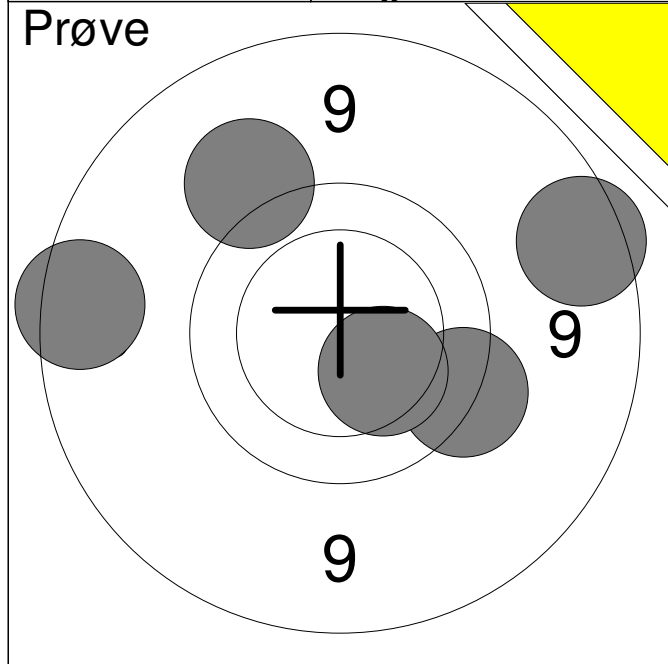
1: 9.5 →	6: 10.1 ↗	Serie	94
2: 9.3 ↘	7: 10.4 ↗		
3: 9.2 ↗	8: 9.5 →	Total	0
4: 10.8x ↖	9: 9.4 ↘		
5: 10.1 ↗	10: 9.9 ↙		

11: 9.6 →	Serie	37
12: 9.4 →		
13: 9.9 ↗	Total	0
14: 10.6x ↖		

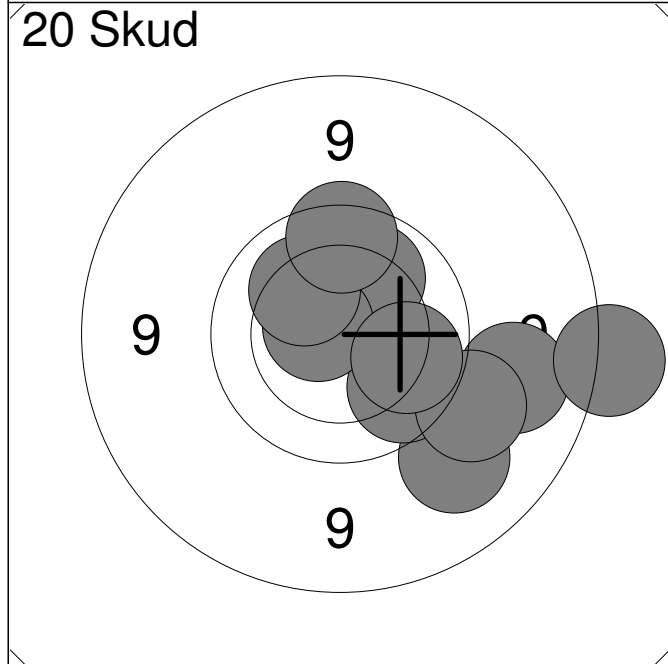


1: 9.6 ↗	6: 9.8 ↘	Serie	92
2: 9.8 ↘	7: 9.1 ↗		
3: 10.2 →	8: 9.9 ↗	Total	92
4: 9.8 ↘	9: 10.5 ↗		
5: 9.5 ↗	10: 9.5 ↗		

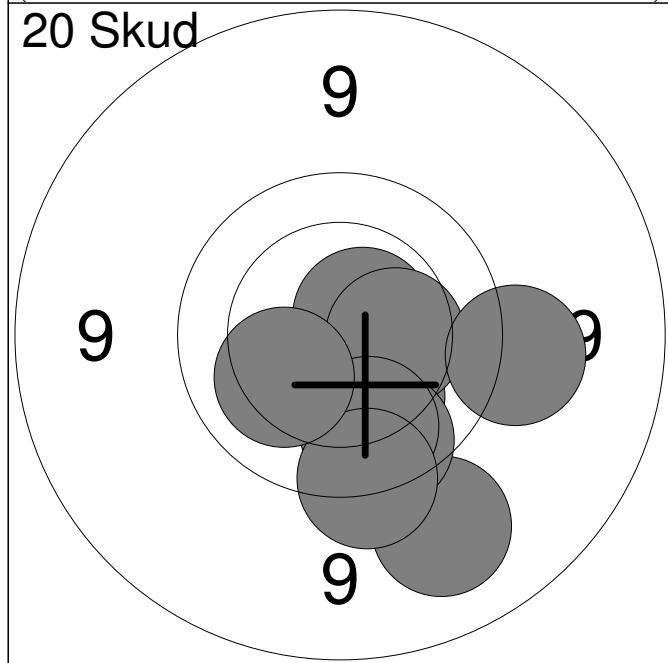
11: 10.1 ↖	16: 9.9 ←	Serie	94
12: 9.9 ↗	17: 9.7 ↑		
13: 10.7x ↘	18: 9.7 ↗	Total	186
14: 10.1 ↘	19: 9.6 ←		
15: 9.5 →	20: 10.6x ↘		



1:	9.6	↘
2:	8.9	→
3:	9.4	↗
4:	8.8	←
5:	10.3	↘
<b>Serie</b>		<b>44.0</b>
<b>Total</b>		<b>0.0</b>



1:	9.2	↘
2:	9.9	↘
3:	10.1	↗
4:	10.6x	←
5:	9.1	→
6:	10.2	↗
7:	9.8	↑
8:	8.6	→
9:	9.4	↘
10:	10.0	→
<b>Serie</b>		<b>93.0</b>
<b>Total</b>		<b>93.0</b>



11:	10.6x	↗
12:	9.2	↘
13:	10.2	↘
14:	10.2	↘
15:	10.4	→
16:	9.8	↘
17:	9.9	↘
18:	9.6	↘
19:	9.4	→
20:	10.2	↙
<b>Serie</b>		<b>95.0</b>
<b>Total</b>		<b>188.0</b>